

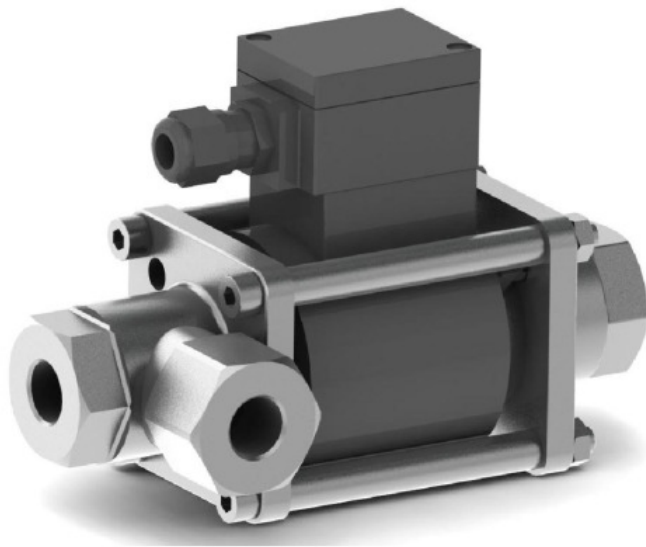
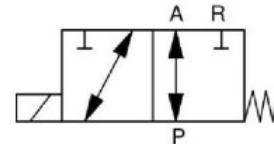
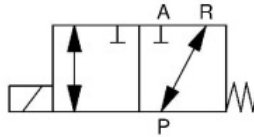
## 3/2-way coaxial valve Ex

## Type 390

**direct acting**

function A: NC (normally closed)

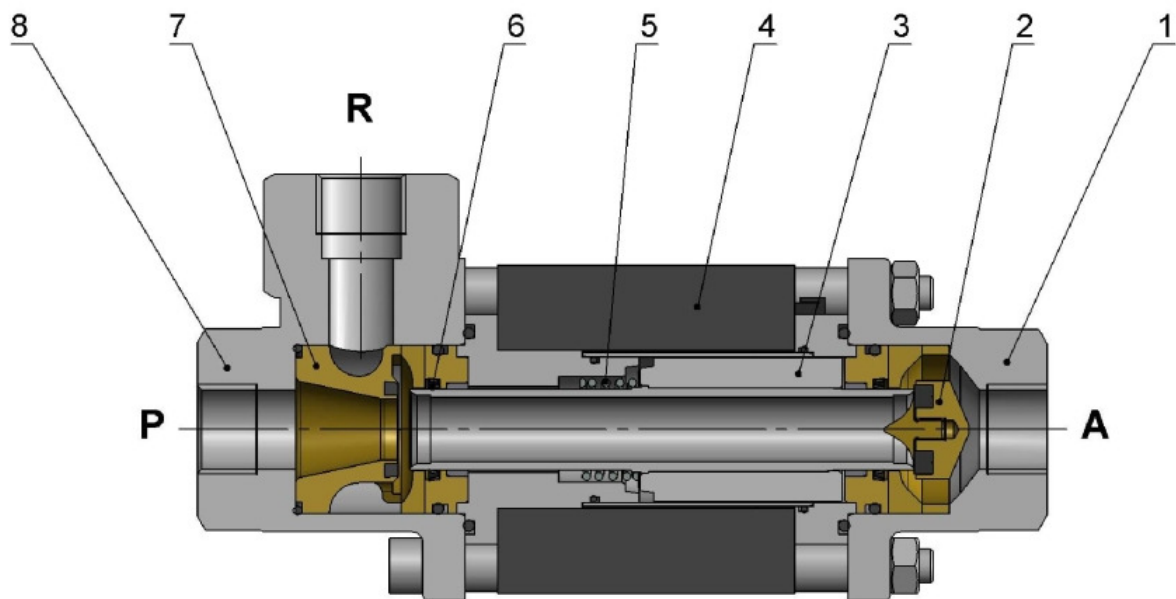
function B: NO (normally open)



<b>diameter</b>	DN 10, DN 15
<b>pressure range</b>	0 – max. 20bar backpressure leakproof up to max. 16bar
<b>body material</b>	brass, AISI 303, AISI 316
<b>seal material</b>	static: FKM dynamic: PTFE seat seal: FKM
<b>temperature</b>	media: -20 up to +40 °C ambient: -30 up to +40 °C
<b>connection</b>	G1/4 – G3/4
<b>flow direction</b>	P → A max. 20bar A → P max. 16bar
<b>electr. connection</b>	cable connection M16x1,5
<b>nominal voltage</b>	230V 50Hz, 24V DC
<b>voltage tolerance</b>	+ / - 10% acc. VDE 0580
<b>duty factor</b>	100% ED
<b>explosion proof</b>	II 2G Ex em II T4 II 2 D td A21 IP65 T130 °C
<b>mounting</b>	in any position

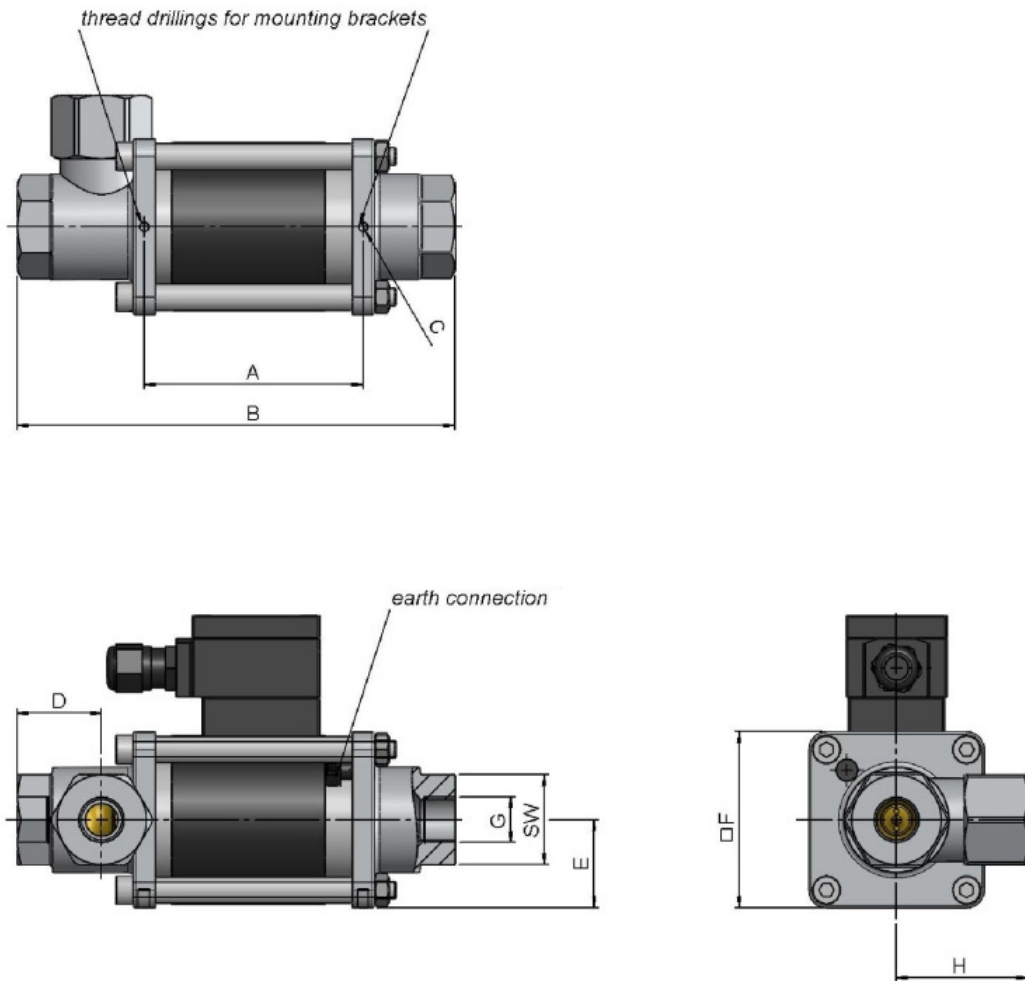
type	DN [mm]	pressure range [bar]	connection	flow rate [m <sup>3</sup> /h]	power consumption [W]		weight - brass [kg]
					24V DC	230V 50Hz	
390	10	0 – 20	G1/4, G3/8, G1/2	2,5	23	23	2,7
390	15	0 – 16	G3/8, G1/2, G3/4	5,6	30	30	4,4

**sectional drawing**



pos.	quantity	description
1	1	2/2-way adapter fitting
2	1	2/2-way valve seat
3	1	plunger
4	1	solenoid
5	1	spring
6	2	PTFE-rod seal
7	1	3/2-way valve seat
8	1	3/2-way adapter fitting

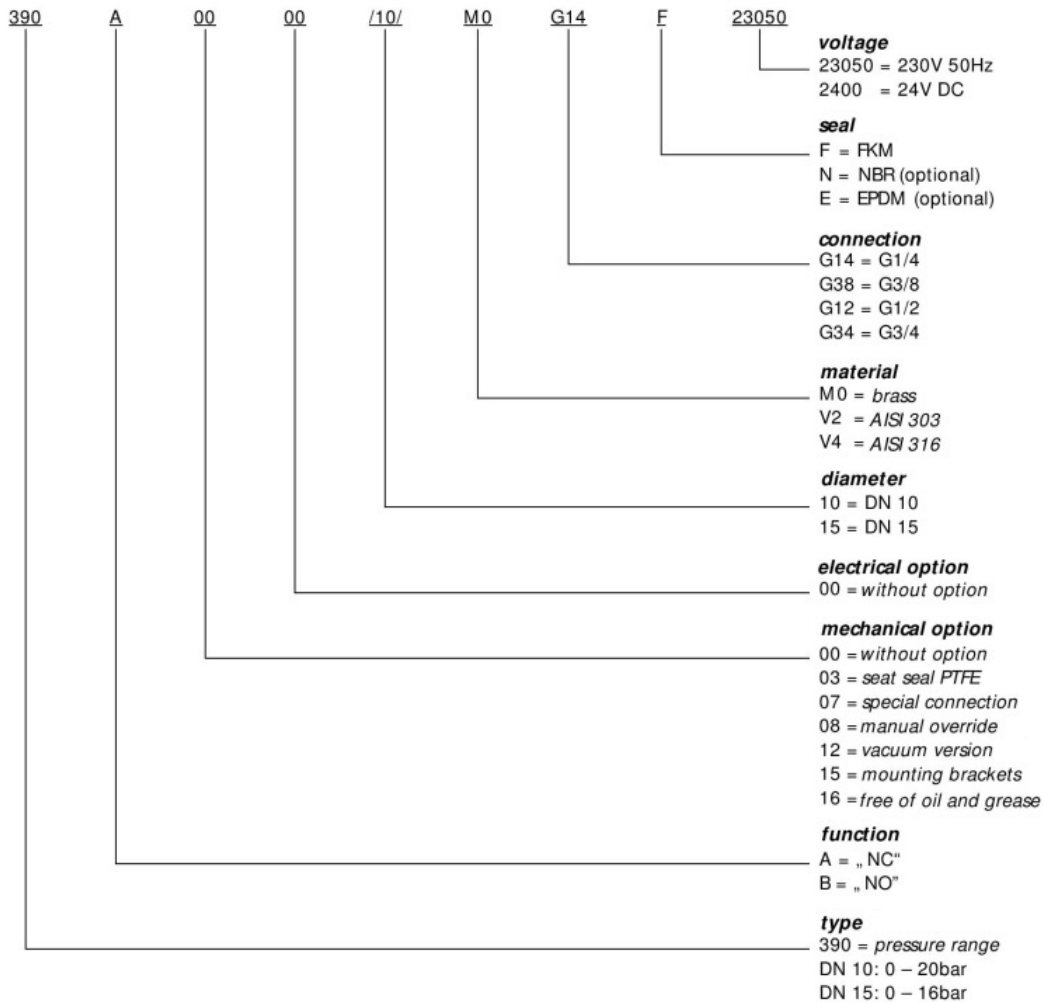
dimension drawing



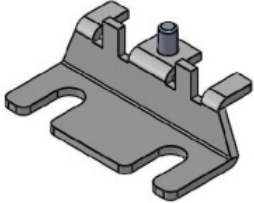
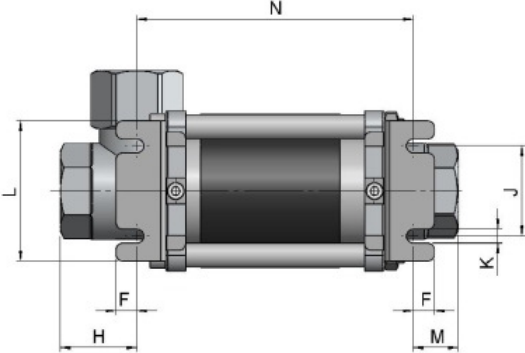
DN [mm]	G	SW	A [mm]	B [mm]	C	D [mm]	E [mm]	F [mm]	H [mm]
10	1/4, 3/8, 1/2	32	84	166,5	M4	32	32,5	65	37
15	3/8, 1/2, 3/4	41	100	200	M5	38,5	40	80	60

## type code

structure of the order specification:



**accessories**

 <p>mounting brackets mechanical option = 15</p>		 <table border="1"> <thead> <tr> <th>DN [mm]</th> <th>F [mm]</th> <th>H [mm]</th> <th>J [mm]</th> <th>K [mm]</th> <th>L [mm]</th> <th>M [mm]</th> <th>N [mm]</th> </tr> </thead> <tbody> <tr> <td>10</td> <td>10</td> <td>30,5</td> <td>30</td> <td>7</td> <td>50</td> <td>23,5</td> <td>112,5</td> </tr> <tr> <td>15</td> <td>10,5</td> <td>38,5</td> <td>45</td> <td>7</td> <td>70</td> <td>22,5</td> <td>139</td> </tr> </tbody> </table>	DN [mm]	F [mm]	H [mm]	J [mm]	K [mm]	L [mm]	M [mm]	N [mm]	10	10	30,5	30	7	50	23,5	112,5	15	10,5	38,5	45	7	70	22,5	139
DN [mm]	F [mm]	H [mm]	J [mm]	K [mm]	L [mm]	M [mm]	N [mm]																			
10	10	30,5	30	7	50	23,5	112,5																			
15	10,5	38,5	45	7	70	22,5	139																			

We gladly coordinate further options and accessories according to your requirements.