

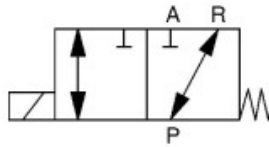
3/2-way coaxial valve

Type 370 / 371

direct acting

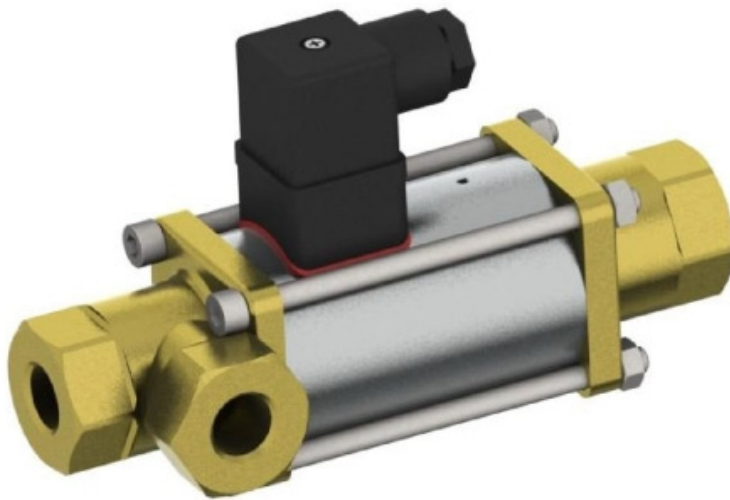
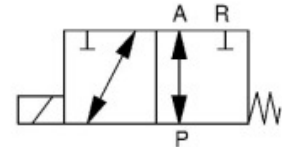
function A:

NC (normally closed)



function B:

NO (normally open)



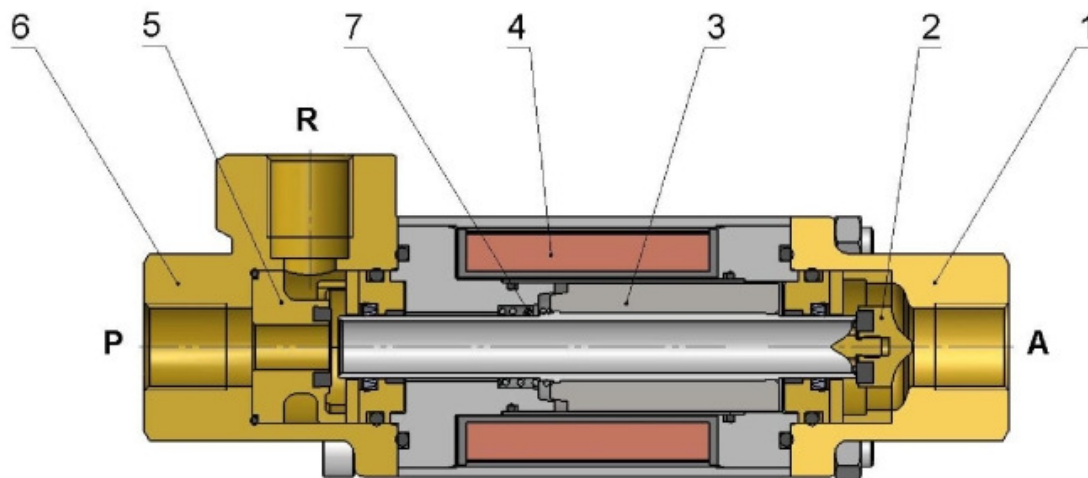
diameter	DN 10 – 50
pressure range	0 – max. 64bar backpressure leakproof up to max. 16bar
body material	threaded version: brass, AISI 303, AISI 316
seal material	static: FKM dynamic: PTFE seat seal: FKM
temperature	media: -10 up to +100 °C ambient: -10 up to +50 °C
connection	G1/4 – G2
flow direction	P → A max. 64bar A → P max. 16bar P → R max. 64bar R → P max. 16bar
electr. connection	plug acc. DIN EN 175301-803 form A a.c. operation, d.c. coil with rectifier integrated
nominal voltage	230V 50Hz, 24V DC, special voltages
voltage tolerance	+ / - 10% acc. VDE 0580
duty factor	100% ED
protection class	IP 65 with plug mounted
mounting	in any position

3/2-way coaxial valve

Type 370 / 371

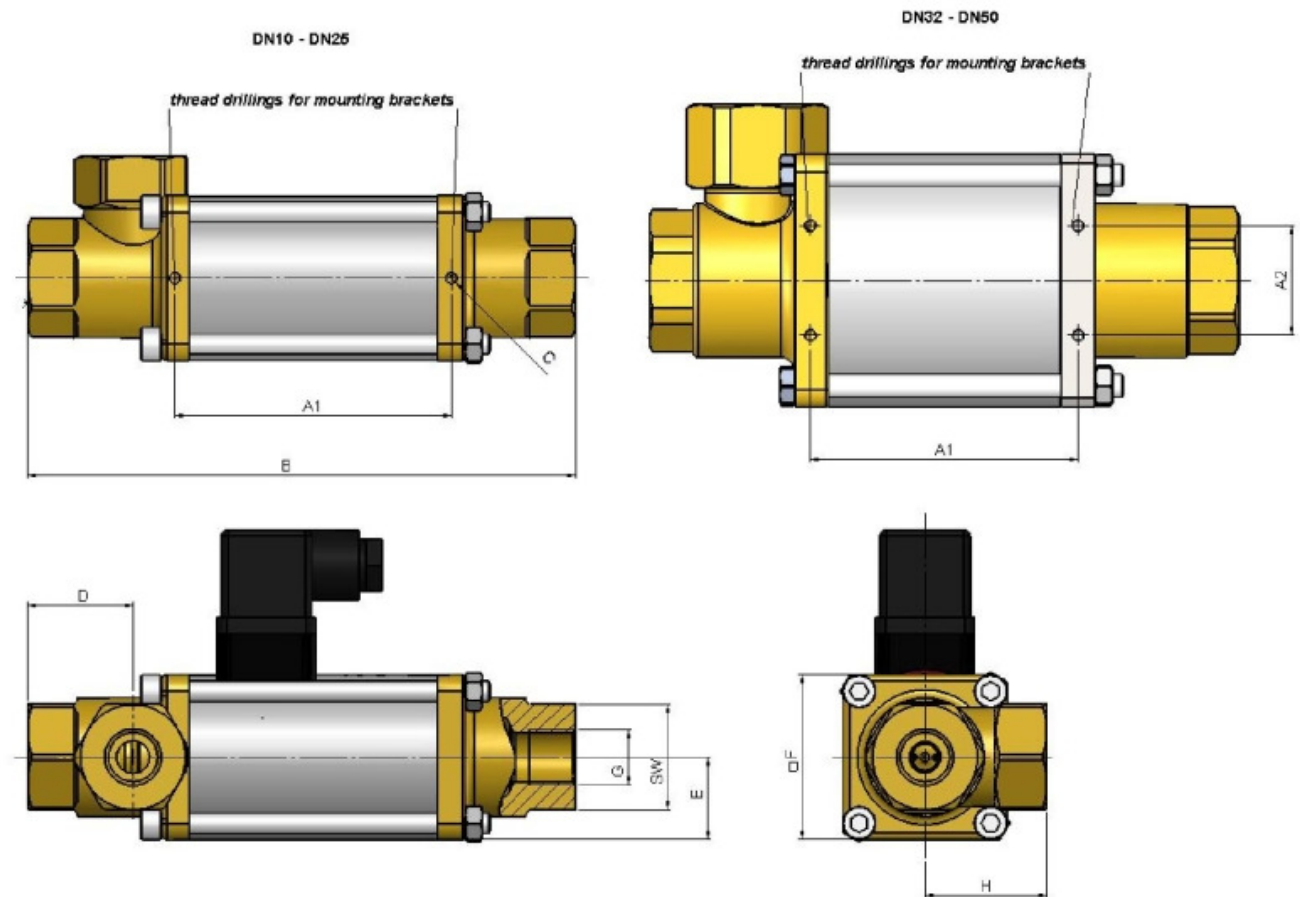
type	DN [mm]	pressure range [bar]	connection	flow rate [m ³ /h]	power consumption [W]		weight - brass [kg]
					24V DC	230V 50Hz	
370	10	0 – 40	G1/4, G3/8, G1/2	2,0	35	41	1,9
370	15	0 – 40	G3/8, G1/2, G3/4	5,6	40	45	4,0
370	20	0 – 40	G1/2, G3/4, G1	8,0	45	53	6,0
370	25	0 – 40	G3/4, G1, G1 1/4	11,5	60	68	7,5
370	32	0 – 40	G1, G1 1/4, G1 1/2	17,9	73	76	13,4
370	40	0 – 16	G1 1/2	41,5	73	90	18,7
370	50	0 – 16	G2	43,0	73	90	18,5
371	10	0 – 64	G1/4, G3/8, G1/2	2,0	44	53	1,9
371	15	0 – 64	G3/8, G1/2, G3/4	5,6	50	55	4,0
371	20	0 – 64	G1/2, G3/4, G1	8,0	53	59	6,0
371	25	0 – 64	G3/4, G1, G1 1/4	11,5	77	85	7,5
371	32	0 – 64	G1, G1 1/4, G1 1/2	17,9	73	76	13,4

sectional drawing



pos.	quantity	description
1	1	2/2-way adapter fitting
2	1	2/2-way valve seat
3	1	plunger
4	1	solenoid
5	1	3/2-way valve seat
6	1	3/2-way adapter fitting
7	1	spring

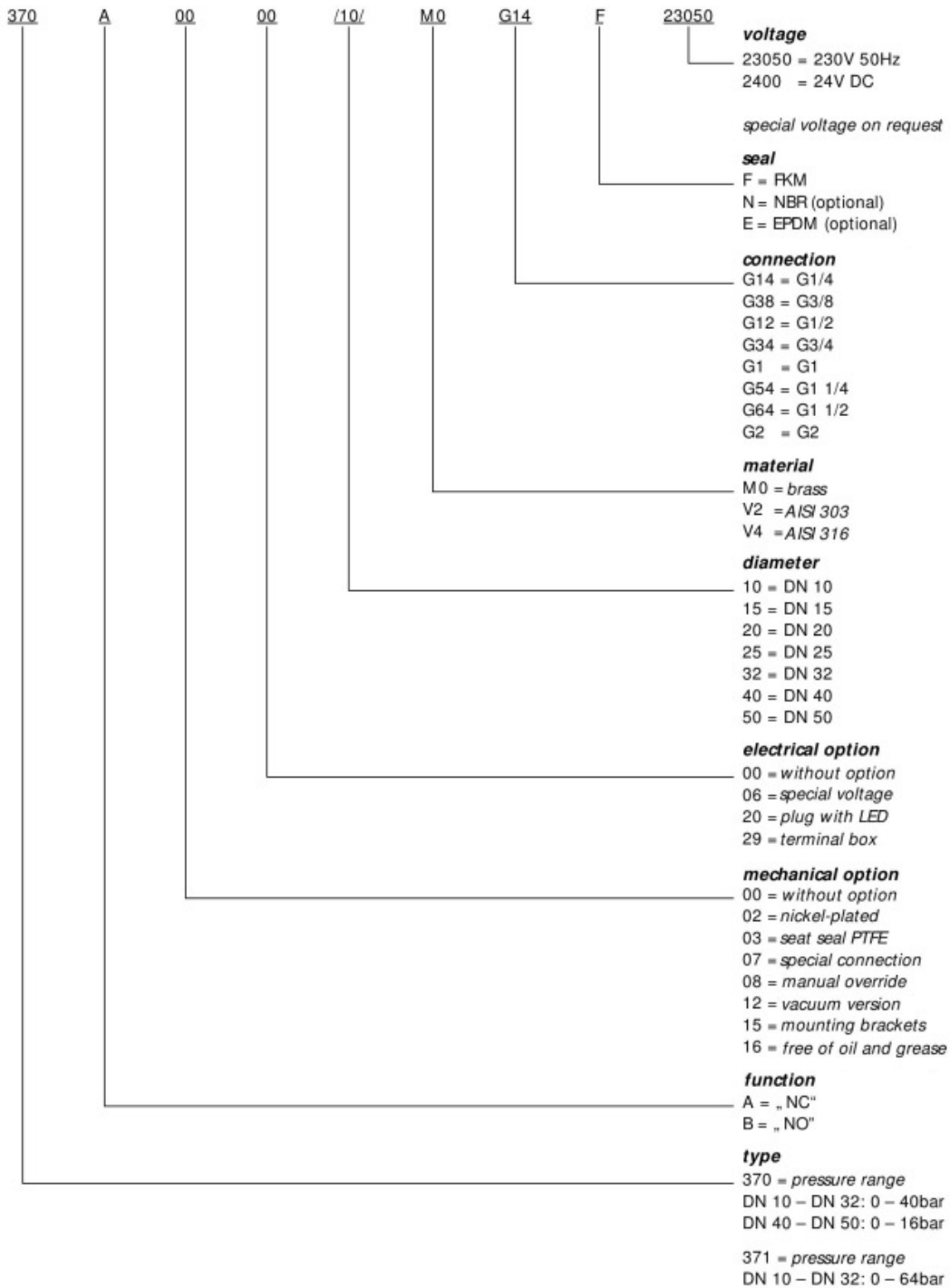
dimension drawing



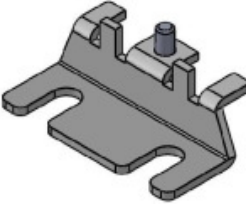
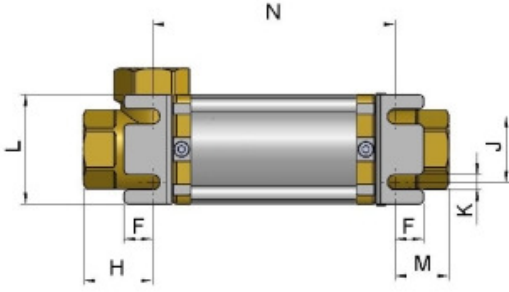
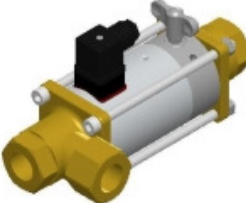
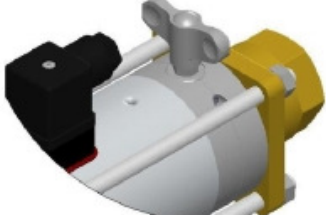

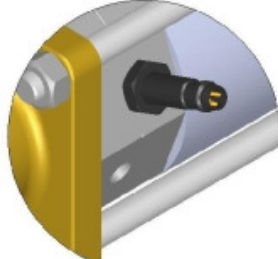
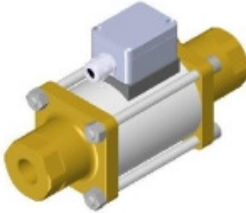
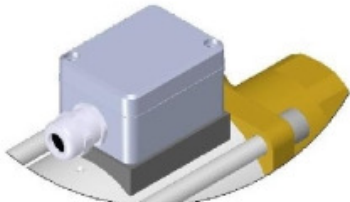
DN [mm]	G	SW	A1 [mm]	A2 [mm]	B [mm]	C	D [mm]	E [mm]	F [mm]	H [mm]
10	1/4, 3/8, 1/2	32	84	-	166,5	M4	32	25	50	37
15	3/8, 1/2, 3/4	41	100	-	200	M5	38,5	35	70	60
20	1/2, 3/4, 1	46	108	-	228	M5	45,5	40	80	72
25	3/4, 1, 1 1/4	55	121	-	252	M5	48	45	90	80
32	1, 1 1/4, 1 1/2	60	122	50	269	M6	49,5	57,5	115	80
40	1 1/2	75	131	60	304	M6	56,5	65	130	84
50	2	75	131	60	304	M6	56,5	65	130	84

type code

structure of the order specification:




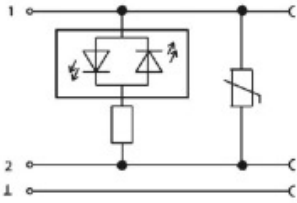

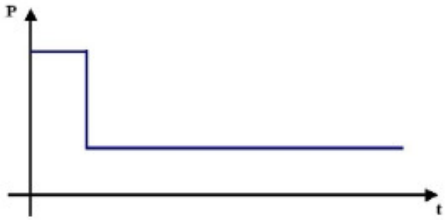

accessories

	<p><i>mounting brackets</i></p> <p><i>mechanical option = 15</i></p>	 <table border="1" data-bbox="821 761 1428 1064"> <thead> <tr> <th>DN</th> <th>F</th> <th>H</th> <th>J</th> <th>K</th> <th>L</th> <th>M</th> <th>N</th> </tr> <tr> <th>[mm]</th> <th>[mm]</th> <th>[mm]</th> <th>[mm]</th> <th>[mm]</th> <th>[mm]</th> <th>[mm]</th> <th>[mm]</th> </tr> </thead> <tbody> <tr> <td>10</td> <td>10</td> <td>30,5</td> <td>30</td> <td>7</td> <td>50</td> <td>23,5</td> <td>113</td> </tr> <tr> <td>15</td> <td>10,5</td> <td>38,5</td> <td>45</td> <td>7</td> <td>70</td> <td>23,5</td> <td>139</td> </tr> <tr> <td>20</td> <td>15,3</td> <td>46,5</td> <td>50</td> <td>7</td> <td>80</td> <td>33,5</td> <td>149</td> </tr> <tr> <td>25</td> <td>16</td> <td>40</td> <td>60</td> <td>8,5</td> <td>90</td> <td>34</td> <td>178</td> </tr> <tr> <td>32</td> <td>6</td> <td>37</td> <td>78</td> <td>6,5</td> <td>115</td> <td>37</td> <td>195</td> </tr> <tr> <td>40</td> <td>6</td> <td>40</td> <td>98</td> <td>6,5</td> <td>130</td> <td>40</td> <td>224</td> </tr> <tr> <td>50</td> <td>6</td> <td>40</td> <td>98</td> <td>6,5</td> <td>130</td> <td>40</td> <td>224</td> </tr> </tbody> </table>	DN	F	H	J	K	L	M	N	[mm]	[mm]	[mm]	[mm]	[mm]	[mm]	[mm]	[mm]	10	10	30,5	30	7	50	23,5	113	15	10,5	38,5	45	7	70	23,5	139	20	15,3	46,5	50	7	80	33,5	149	25	16	40	60	8,5	90	34	178	32	6	37	78	6,5	115	37	195	40	6	40	98	6,5	130	40	224	50	6	40	98	6,5	130	40	224
DN	F	H	J	K	L	M	N																																																																			
[mm]	[mm]	[mm]	[mm]	[mm]	[mm]	[mm]	[mm]																																																																			
10	10	30,5	30	7	50	23,5	113																																																																			
15	10,5	38,5	45	7	70	23,5	139																																																																			
20	15,3	46,5	50	7	80	33,5	149																																																																			
25	16	40	60	8,5	90	34	178																																																																			
32	6	37	78	6,5	115	37	195																																																																			
40	6	40	98	6,5	130	40	224																																																																			
50	6	40	98	6,5	130	40	224																																																																			
	<p><i>manual override</i></p> <p><i>mechanical option = 08</i></p>																																																																									
	<p><i>position indication</i></p> <p><i>electrical option = 19</i></p>																																																																									
	<p><i>terminal box</i></p> <p>Schutzart: IP 65 protection class: IP 65</p> <p>PG11-fitting</p> <p><i>electrical option = 29</i></p>																																																																									

Coaxial-valves.com

3/2-way coaxial valve

Type 370 / 371

	<p><i>plug with LED</i></p> <p><i>electrical option = 20</i></p>	
	<p>24V DC</p> <p><i>plug with power reduction form A</i></p> <p><i>electrical option = 07</i></p>	
	<p><i>plug with M 12x1</i></p>	

We gladly coordinate further options and accessories according to your requirements.