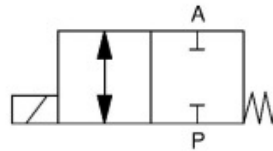


2/2-way coaxial valve Ex

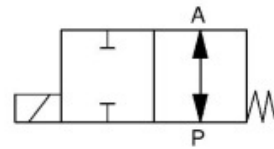
Type 290-X

direct acting
modular design

function A: NC (normally closed)



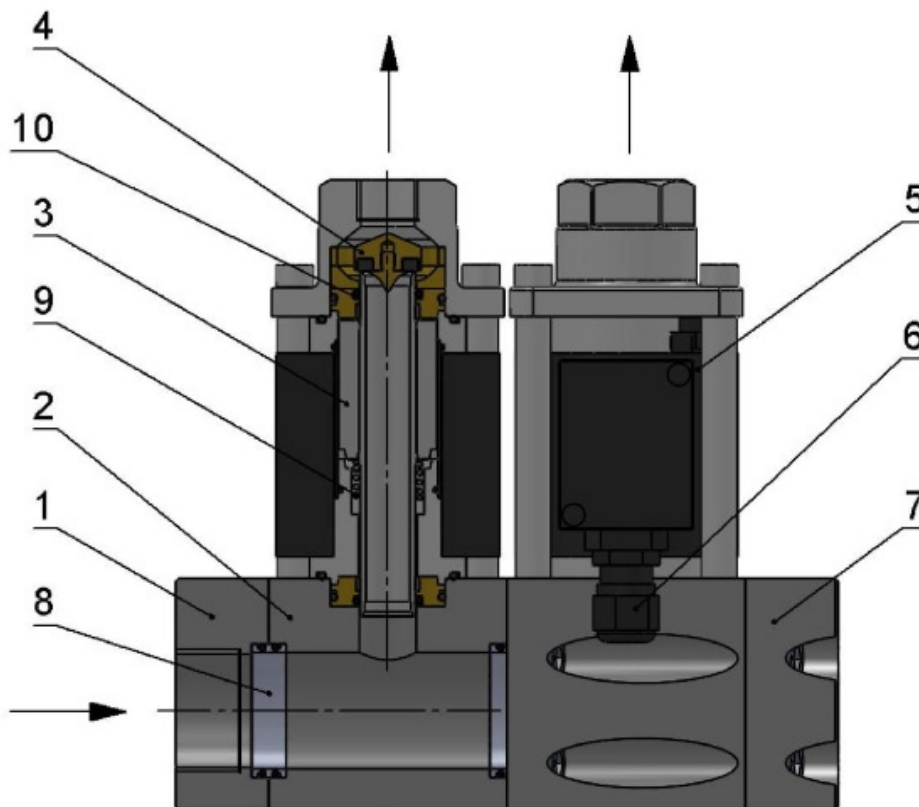
function B: NO (normally open)



diameter	DN 10, DN 15
pressure range	0 – max. 20bar backpressure leakproof up to max. 16bar
body material	single valve: brass block: aluminium
seal material	static: FKM dynamic: PTFE seat seal: FKM
temperature	media: -20 up to +40 °C ambient: -30 up to +40 °C
connection	valve: G1/4 – G3/4 block: G1/2 – G1 1/2
flow direction	P → A max. 20bar A → P max. 16bar
electr. connection	cable connection M16x1,5
nominal voltage	230V 50Hz, 24V DC
voltage tolerance	+ / - 10% acc. VDE 0580
duty factor	100% ED
explosion proof	II 2G Ex em II T4 II 2 D td A21 IP65 T130 °C
mounting	in any position

type	DN [mm]	pressure range [bar]	connection	flow rate [m ³ /h]	power consumption [W]		weight - brass [kg]
					24V DC	230V 50Hz	
290-X	10	0 – 20	G1/4, G3/8, G1/2	2,5	23	23	2,3
290-X	15	0 – 20*	G3/8, G1/2, G3/4	5,2	30	30	4,3

sectional drawing



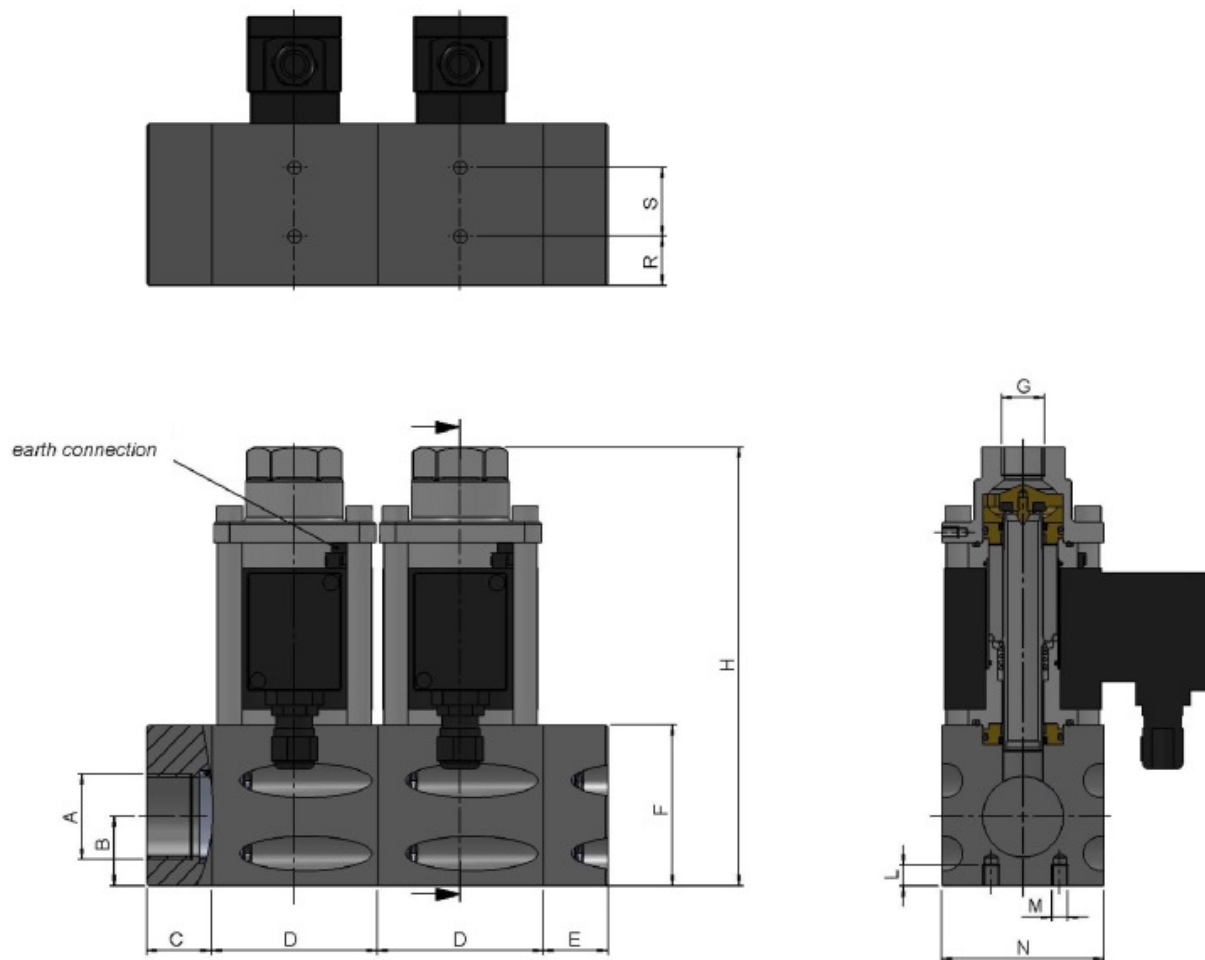
pos.	quantity	description
1	1	fitting left
2	2	block module
3	2	plunger
4	2	valve seat
5	2	solenoid
6	2	cable connection
7	1	end cover
8	3	distance piece
9	1	spring
10	4	PTFE-rod seal

Coaxial-valves.com

2/2-way coaxial valve Ex

Type 290-X

dimension drawing



DN [mm]	A	B [mm]	C [mm]	D [mm]	E [mm]	F [mm]	H [mm]	G	L [mm]	M [mm]	N [mm]	R [mm]	S [mm]
10	G1/2, G3/4, G1, G1 1/4	28	42	67	27	69,5	187	1/4, 3/8, 1/2	8	M6	70	21	28
15	G1, G1 1/4, G1 1/2	34	32	82	32	79,5	216,5	3/8, 1/2, 3/4	10	M8	80	25	34

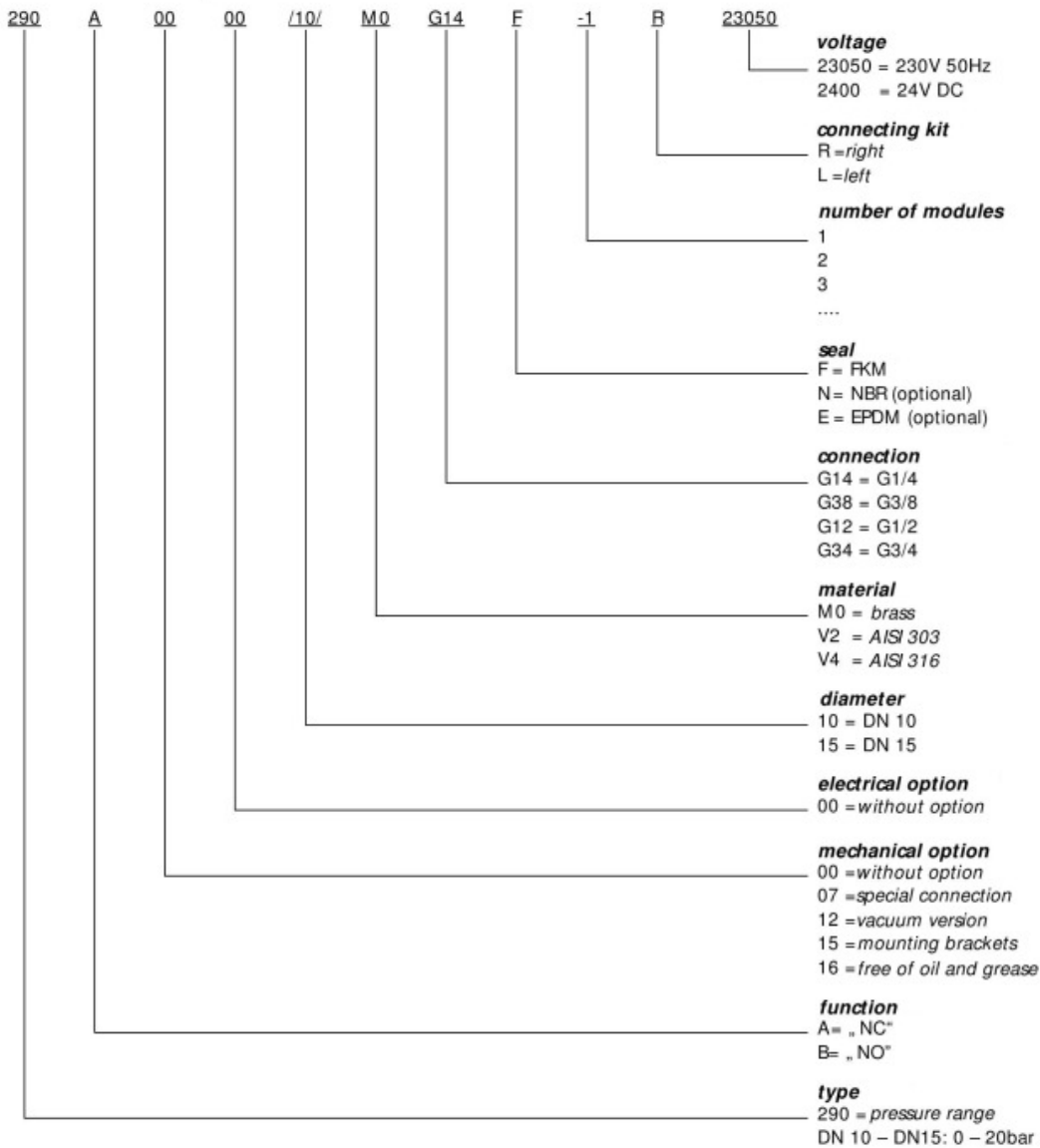
Coaxial-valves.com

2/2-way coaxial valve Ex

Type 290-X

type code

structure of the order specification:


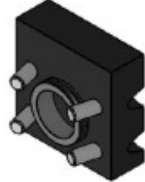




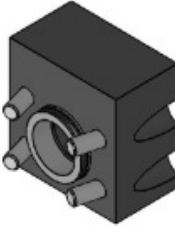
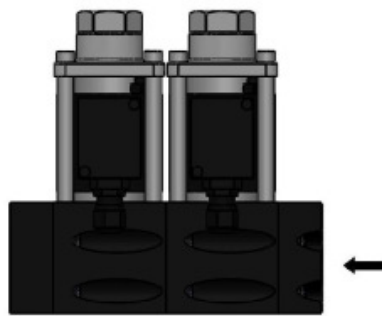

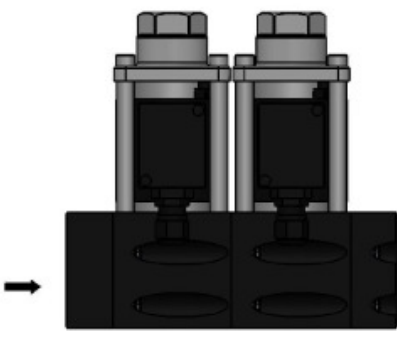
Coaxial-valves.com

2/2-way coaxial valve Ex

Type 290-X

accessories

connecting pieces		end covers	
	<i>isolation disc</i>		<i>end cover right</i>
	<i>distance piece</i>		<i>end cover left</i>

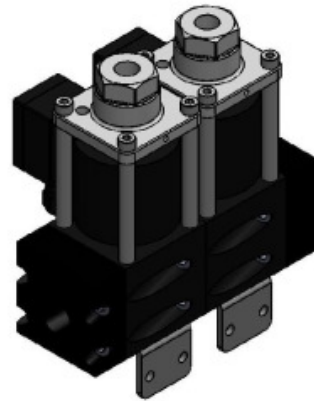
connection parts		
	<i>connection part right</i>	
	<i>connection part left</i>	

further options



mounting brackets

mechanical option = 15



We gladly coordinate further options and accessories with your requirements.