

2/2-way coaxial valve Ex

Type 290

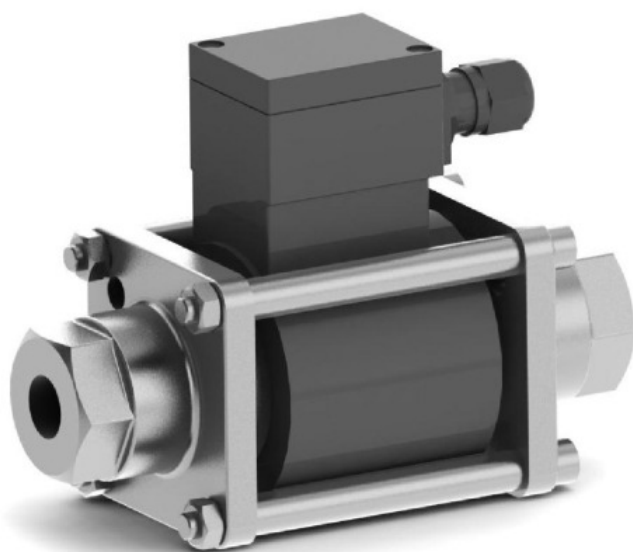
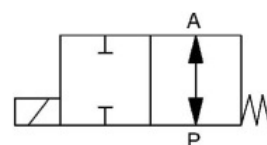
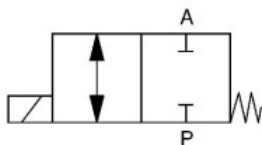
direct acting

function A:

NC (normally closed)

function B:

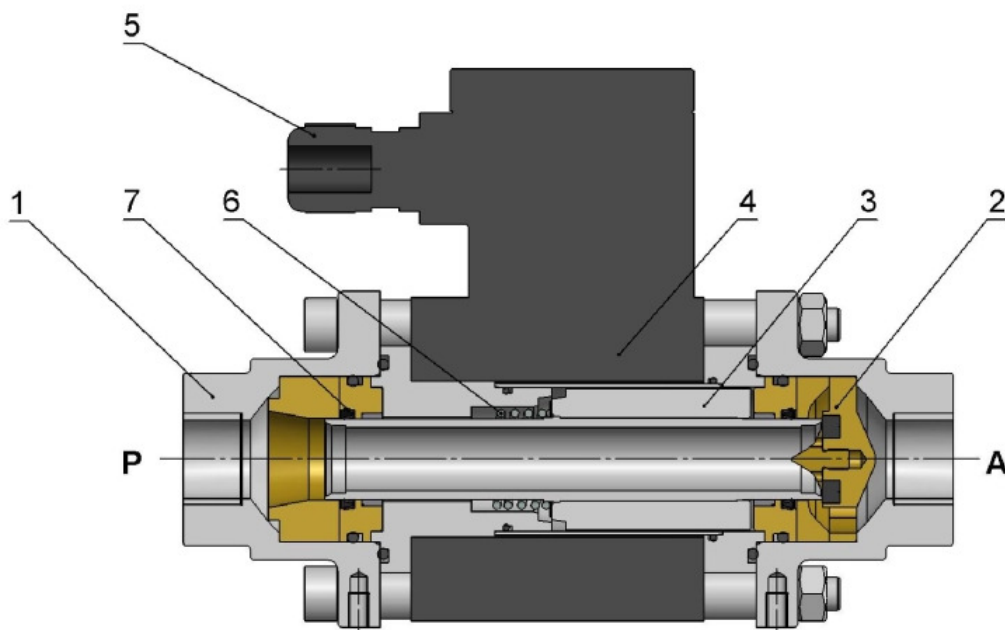
NO (normally open)



diameter	DN 10, DN 15
pressure range	0 – max. 20bar backpressure leakproof up to max. 16bar
body material	brass, AISI 303, AISI 316
seal material	static: FKM dynamic: PTFE seat seal: FKM
temperature	media: -20 up to +40 °C ambient: -30 up to +40 °C
connection	G1/4 – G3/4
flow direction	P → A max. 20bar A → P max. 16bar
electr. connection	cable connection M16x1,5
nominal voltage	230V 50Hz, 24V DC
voltage tolerance	+ / - 10% acc. VDE 0580
duty factor	100% ED
explosion proof	II 2G Ex em II T4 II 2 D td A21 IP65 T130 °C
mounting	in any position

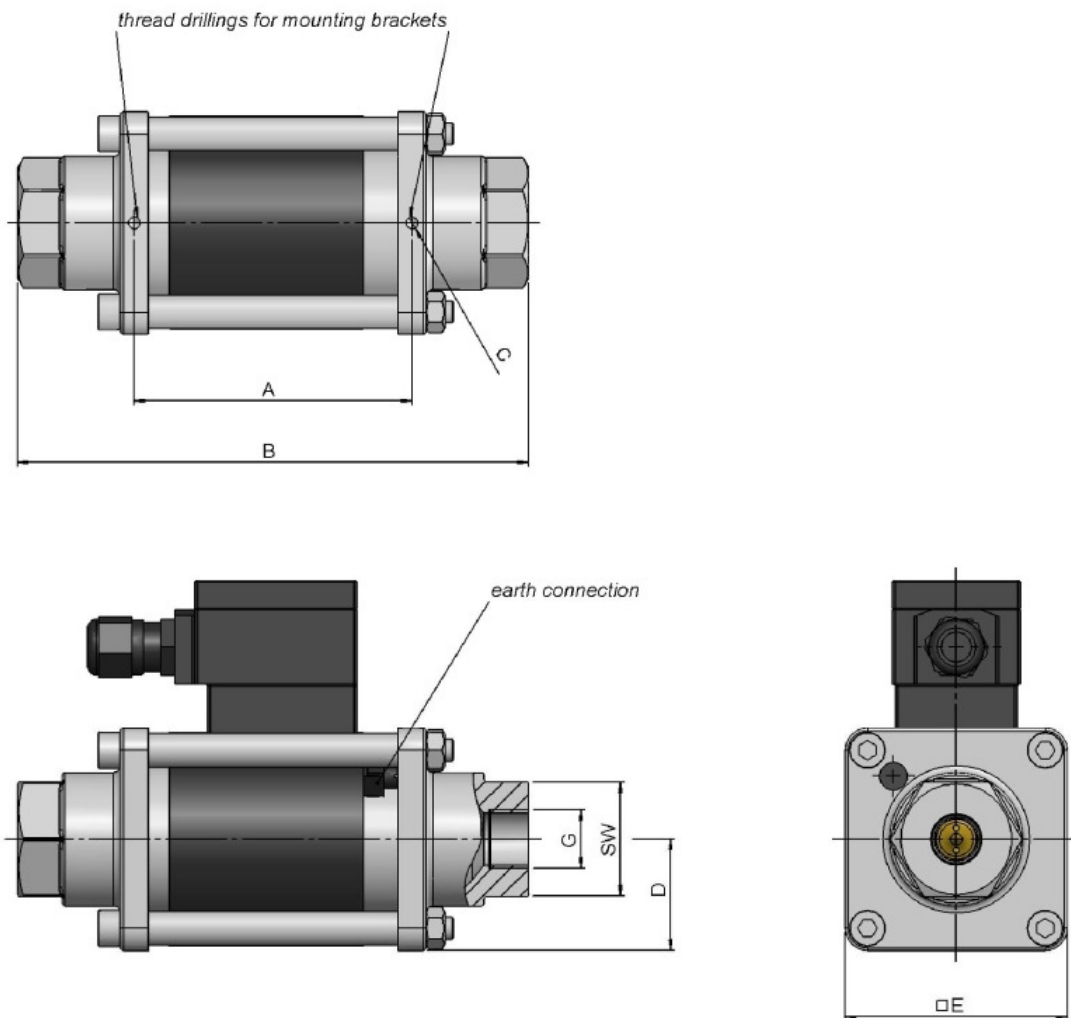
type	DN [mm]	pressure range [bar]	connection	flow rate [m ³ /h]	power consumption [W]		weight - brass [kg]
					24V DC	230V 50Hz	
290	10	0 – 20	G1/4, G3/8, G1/2	2,5	23	23	2,3
290	15	0 – 20*	G3/8, G1/2, G3/4	5,2	30	30	4,3

sectional drawing



pos.	quantity	description
1	2	adapter fitting
2	1	valve seat
3	1	plunger
4	1	solenoid
5	1	cable connection
6	1	spring
7	2	PTFE-rod seal

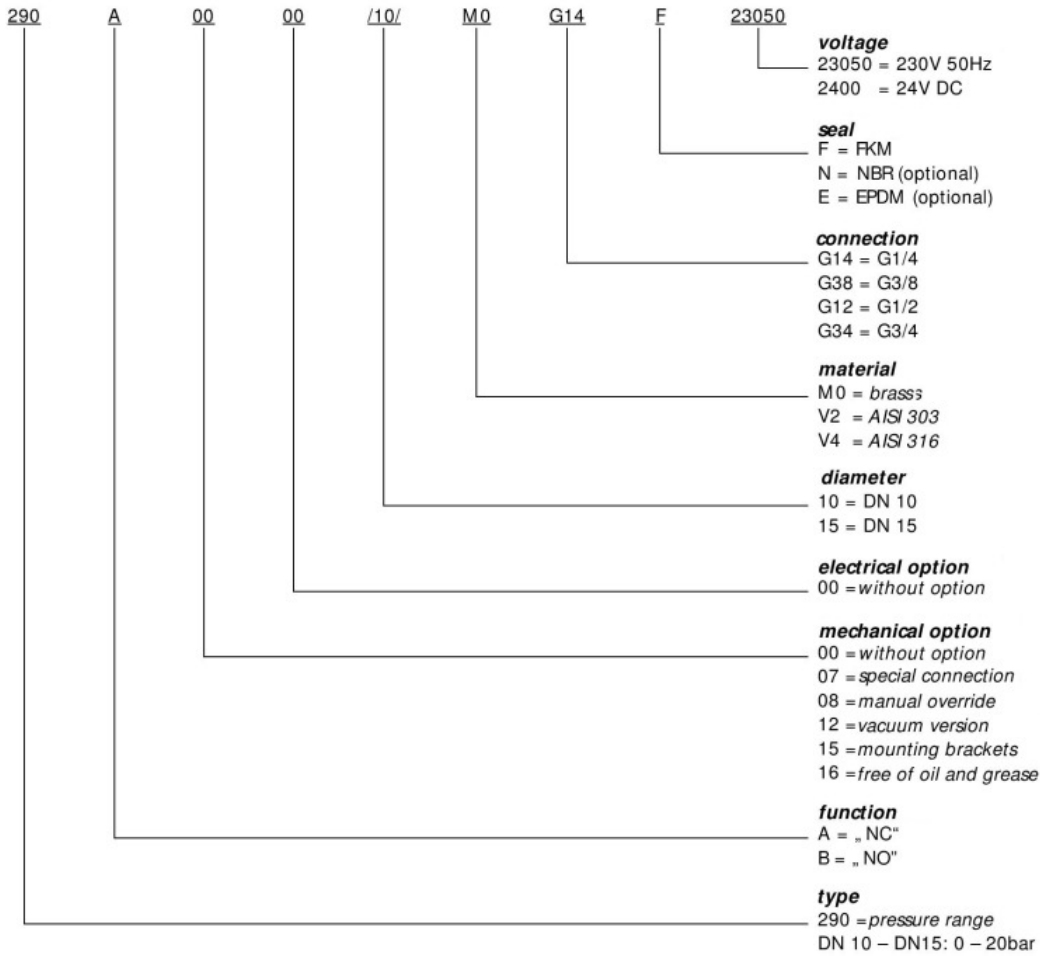
dimension drawing



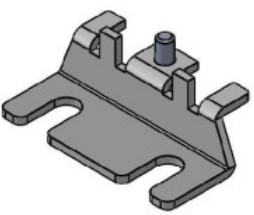
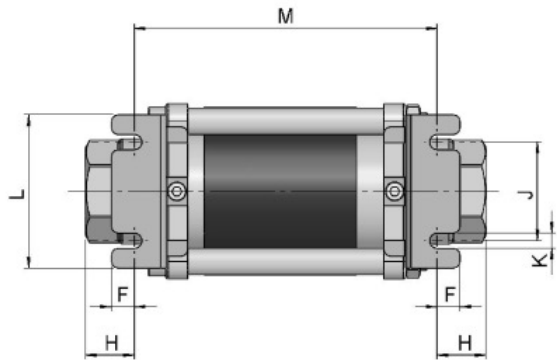
DN [mm]	G	SW	A [mm]	B [mm]	C	D [mm]	E [mm]
10	1/4, 3/8, 1/2	32	84	159,5	M4	32,5	65
15	3/8, 1/2, 3/4	41	100	184	M5	40	80

type code

structure of the order specification:



accessories

	<p>mounting brackets mechanical option = 15</p>	 <table border="1" data-bbox="813 896 1428 1019"><thead><tr><th>DN [mm]</th><th>F [mm]</th><th>H [mm]</th><th>J [mm]</th><th>K [mm]</th><th>L [mm]</th><th>M [mm]</th></tr></thead><tbody><tr><td>10</td><td>10</td><td>23,5</td><td>30</td><td>7</td><td>50</td><td>112,5</td></tr><tr><td>15</td><td>10,5</td><td>22,5</td><td>45</td><td>7</td><td>70</td><td>139</td></tr></tbody></table>	DN [mm]	F [mm]	H [mm]	J [mm]	K [mm]	L [mm]	M [mm]	10	10	23,5	30	7	50	112,5	15	10,5	22,5	45	7	70	139
DN [mm]	F [mm]	H [mm]	J [mm]	K [mm]	L [mm]	M [mm]																	
10	10	23,5	30	7	50	112,5																	
15	10,5	22,5	45	7	70	139																	

We gladly coordinate further options and accessories according to your requirements.