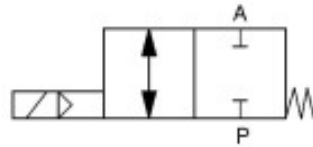


2/2-way coaxial valve

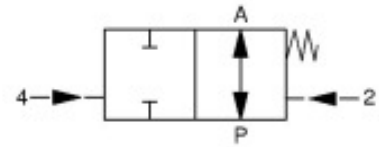
Type 286-X

externally controlled
modular design

function A: NC (normally closed)



function B: NO (normally open)



diameter	DN 8
pressure range	0 – max. 40bar backpressure leakproof up to max. 40bar
body material	single valve: brass block: aluminium
seals	static: FKM dynamic: PTFE seat seal: FKM
temperature	media: -10 up to +100 °C ambient: -10 up to +50 °C
connection	valve: G3/8 block: G1
flow direction	P → A max. 40bar A → P max. 40bar
actuating part	piston with return spring
electr. connection	plug acc. industrial norm form B, a.c. operation with rectifier integrated
nominal voltage	24V DC, 230V 50Hz, special voltages
voltage tolerance	+ / - 10% acc. VDE 0580
power consumption	230V 50Hz: 9,2VA 24V DC: 6W
duty factor	100% ED
protection class	IP 65 with plug mounted
control pressure	3 – 10bar over quick connector for tube with external diameter 6mm an possibly existing upstreamed service unit extends the lifetime of the valves
switching time	opening / closing 21 – 40ms depending on operating pressure
mounting	in any position

Coaxial-valves.com

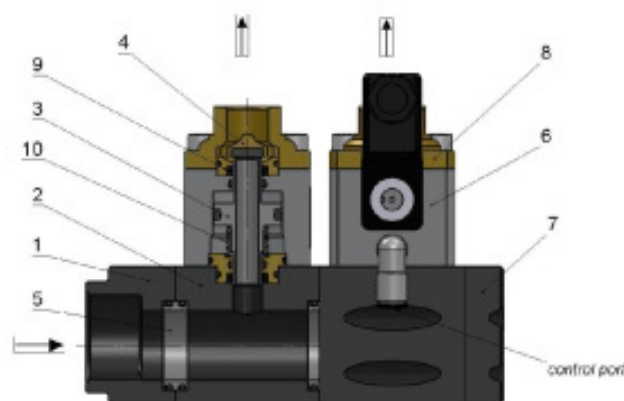
2/2-way coaxial valve

Type 286-X

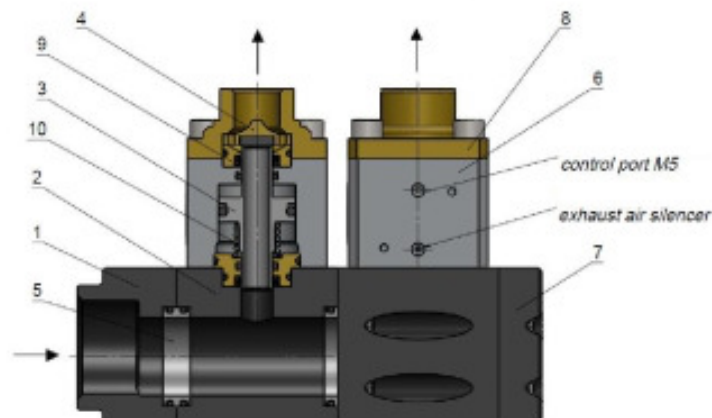
DN [mm]	connection	flow rate [m ³ /h]	weight - brass [kg]
8	G3/8	1,7	0,7

sectional drawing

3/2-way pilot valve



for external 3/2-way pilot valve



pos.	quantity	description
1	2	fitting left
2	1	block module
3	1	piston
4	1	valve seat
5	1	distance piece
6	1	cylinder
7	1	end cover
8	1	adapter fitting
9	1	PTFE-rod seal
10	1	spring

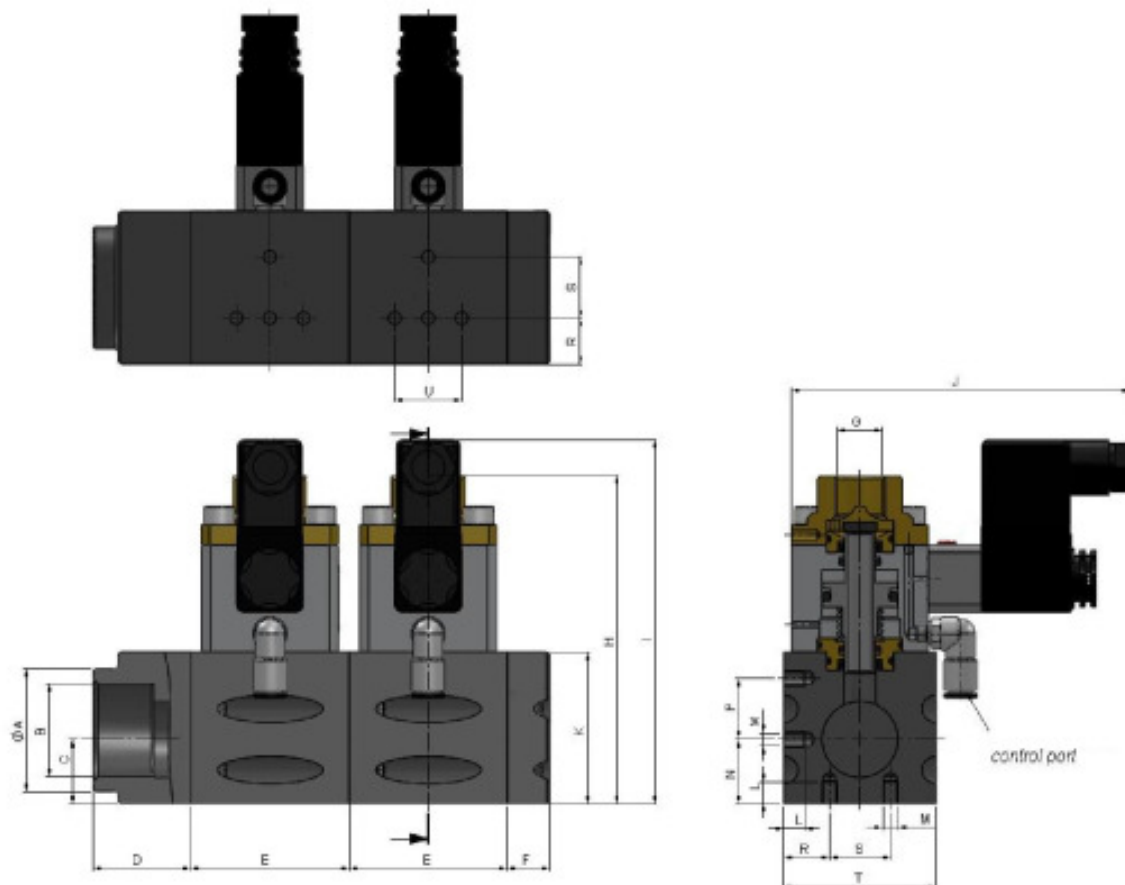
Coaxial-valves.com

2/2-way coaxial valve

Type 286-X

dimension drawing

type 286-X with 3/2-way pilot valve



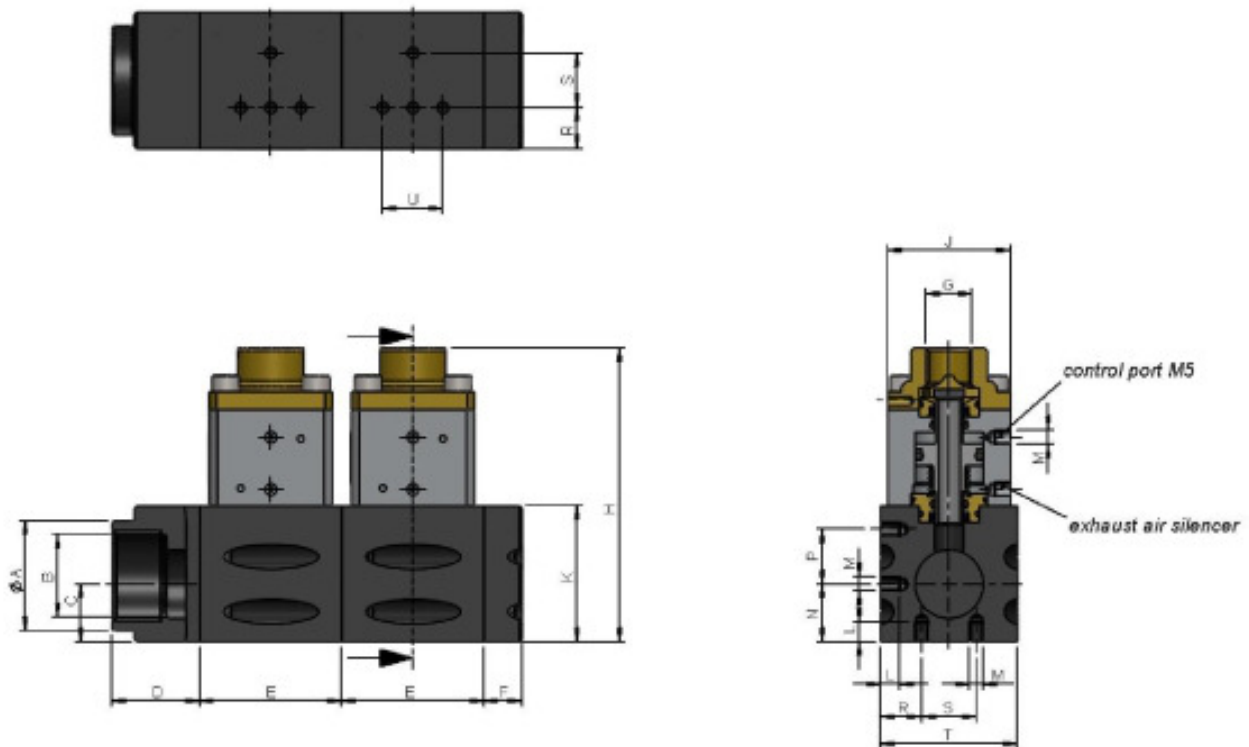
DN	A	B	C	D	E	F	G	H	I	J	K	L	M	N	P	R	S	T	U
[mm]	[mm]		[mm]	[mm]	[mm]	[mm]	[mm]	[mm]	[mm]	[mm]		[mm]	[mm]	[mm]	[mm]	[mm]	[mm]	[mm]	[mm]
8	40	G1	21	32	52	14	G3/8	107	118	115	49,5	7	M5	21	20	15	20	50	22

Coaxial-valves.com

2/2-way coaxial valve

Type 286-X

type 286-X with control air connections for external 3/2-way pilot valve



DN	A	B	C	D	E	F	G	H	I	J	K	L	M	N	P	R	S	T	U
[mm]	[mm]		[mm]	[mm]	[mm]	[mm]	[mm]	[mm]	[mm]	[mm]		[mm]	[mm]	[mm]	[mm]	[mm]	[mm]	[mm]	[mm]
8	40	G1	21	32	52	14	G3/8	107	-	45	49,5	7	M5	21	20	15	20	50	22

order specifications

DN [mm]	type	function	pressure range [bar]	connection	order specifications
8	3/2-way pilot valve	NC	0 - 40	G3/8	286A0000/8/M0G38F-X 2400 286A0000/8/M0G38F-X 23050
8	for external 3/2-way pilot valve	NC	0 - 40	G3/8	286A2200/8/M0G38F-X
8	for external 3/2-way pilot valve	NO	0 - 40	G3/8	286B2200/8/M0G38F-X

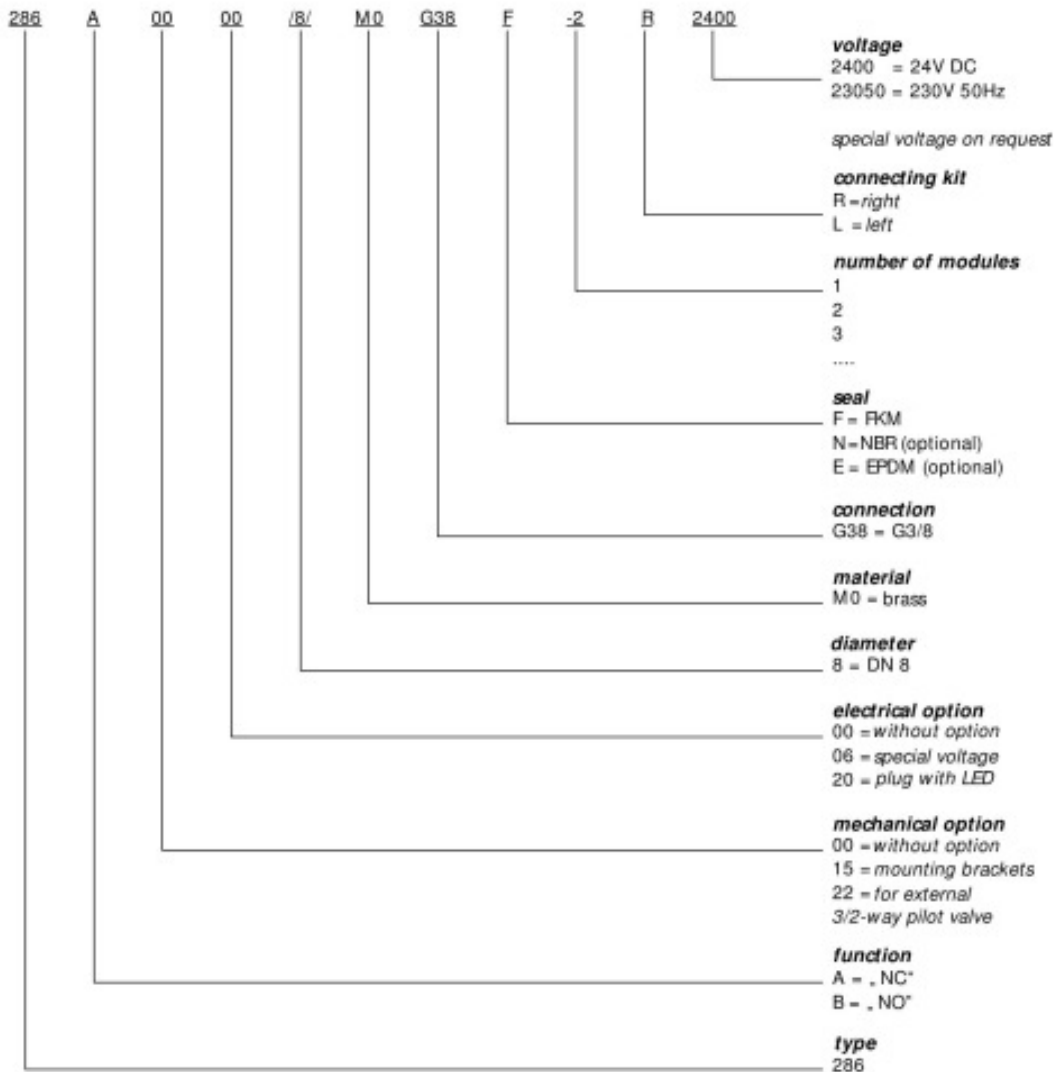
Coaxial-valves.com

2/2-way coaxial valve

Type 286-X

type code

structure of the order specification:


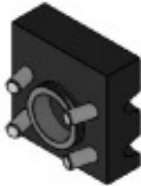





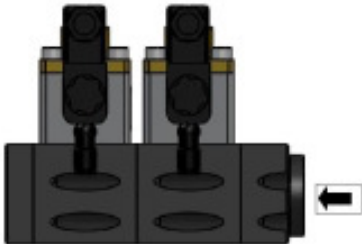

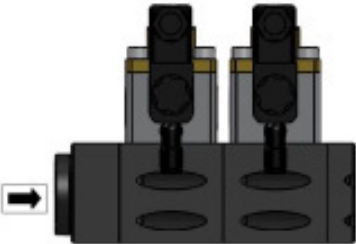
Coaxial-valves.com

2/2-way coaxial valve

Type 286-X

accessories


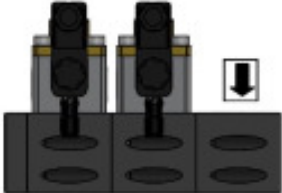

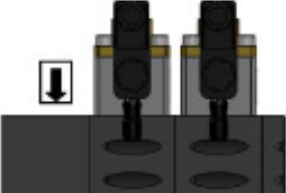
<i>connecting pieces</i>		<i>end covers</i>	
	<i>isolation disc</i>		<i>end cover right</i>
	<i>distance piece</i>		<i>end cover left</i>

<i>connection parts</i>		
	<i>connection part right</i>	
	<i>connection part left</i>	

Coaxial-valves.com

2/2-way coaxial valve


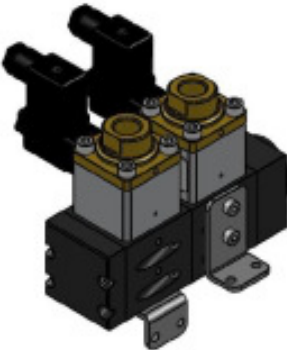

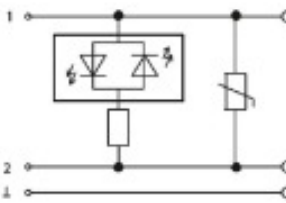


Type 286-X

	<p>connection part right 90° G1</p>	
	<p>connection part left 90° G1</p>	

Coaxial-valves.com

2/2-way coaxial valve

Type 286-X

<i>further options</i>		
	<p><i>mounting brackets</i></p> <p><i>mechanical option = 15</i></p>	
	<p><i>plug with LED</i></p> <p><i>electrical option = 20</i></p>	
	<p><i>fittings</i></p>	<p><i>see datasheet fittings</i></p>
	<p><i>explosion proof</i></p> <p>II 2G Ex m II T4 II 3D IP65 T130°C</p> <p>elektrische Option = 13 <i>electrical option = 13</i></p>	<p><i>operating pressure is reduced by 20% in Ex specification</i></p>

We gladly coordinate further options and accessories according to your requirements.