

2/2-way coaxial valve

Type 283

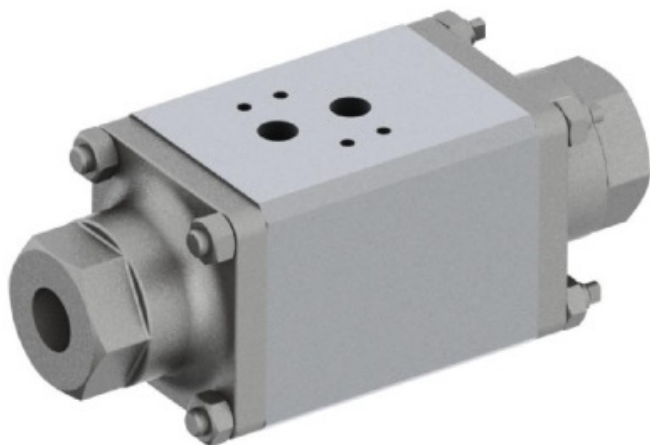
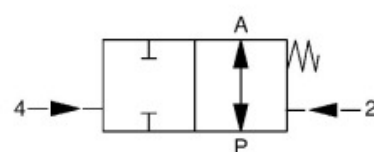
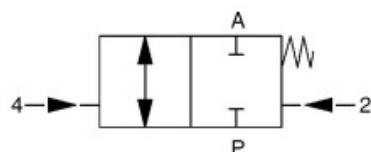
externally controlled

function A:

NC (normally closed)

function B:

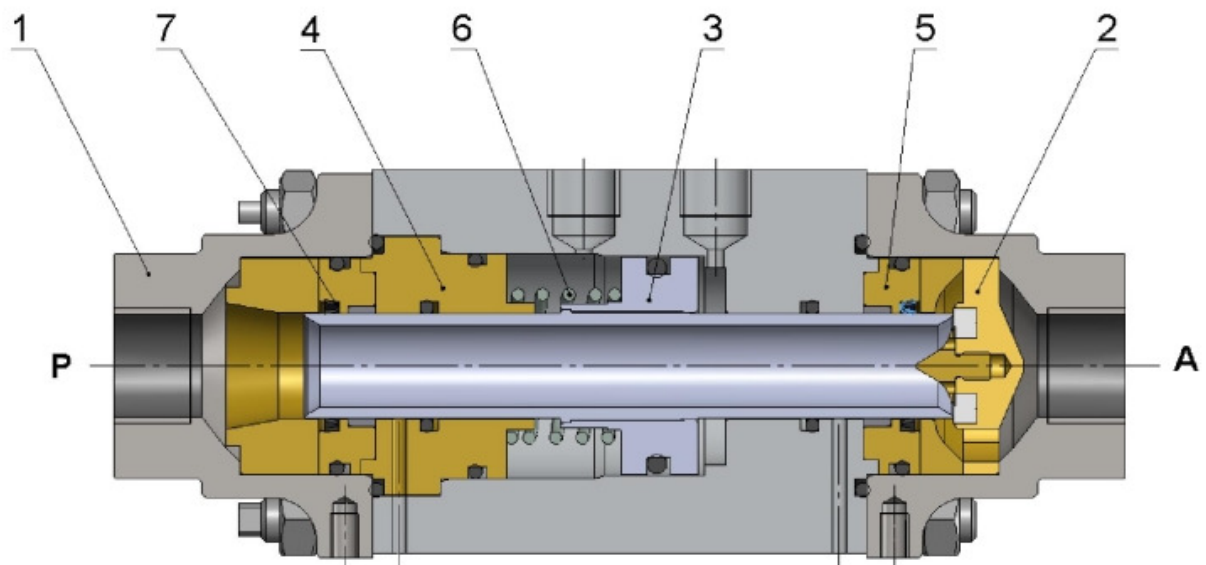
NO (normally open)



diameter	DN 15
pressure range	0 – max. 200bar backpressure leakproof up to max. 16bar
body material	brass, AISI 303, AISI 316
seal material	static: FKM dynamic: PTFE seat seal: PTFE
temperature	media: -10 up to +100 °C ambient: -10 up to +50 °C
connection	G3/8 – G3/4
flow direction	P → A max. 200bar A → P max. 16bar
actuating part	double acting piston with return spring
control pressure	3 – 8bar connections 2+4 (G1/4) port according to NAMUR an upstreamed service unit extends the lifetime of the valves
switching time	opening / closing 50 – 1000ms depending on operating pressure, pilot valve (option) and exhaust air throttle (option)
mounting	in any position

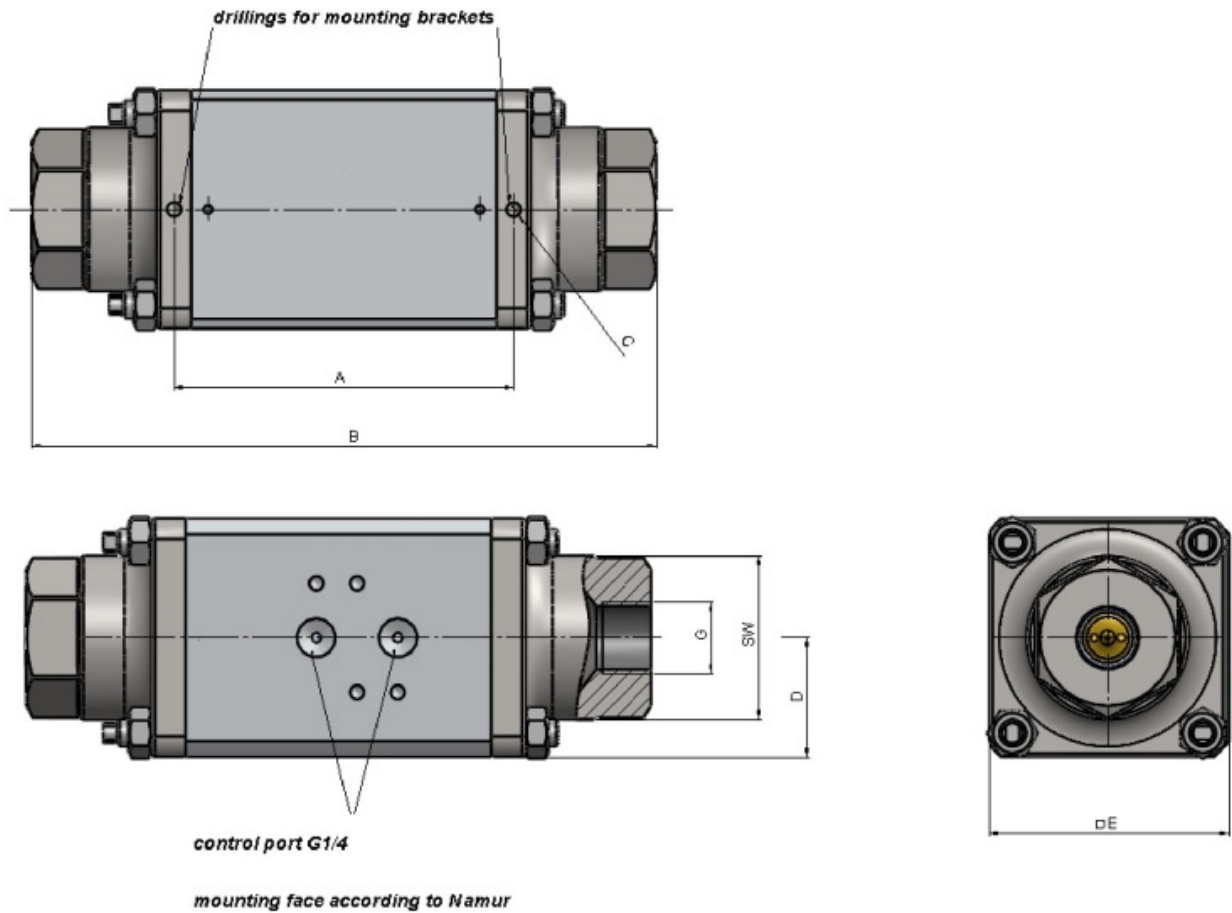
DN [mm]	pressure range [bar]	connection	flow rate [m ³ /h]	weight [kg]
15	0 – 200	G3/8, G1/2, G3/4	7,2	3,2

sectional drawing



pos.	quantity	description
1	2	adapter fitting
2	1	valve seat
3	1	piston / control tube
4	1	actuating plate
5	2	guiding disk
6	1	spring
7	2	PTFE-rod seal

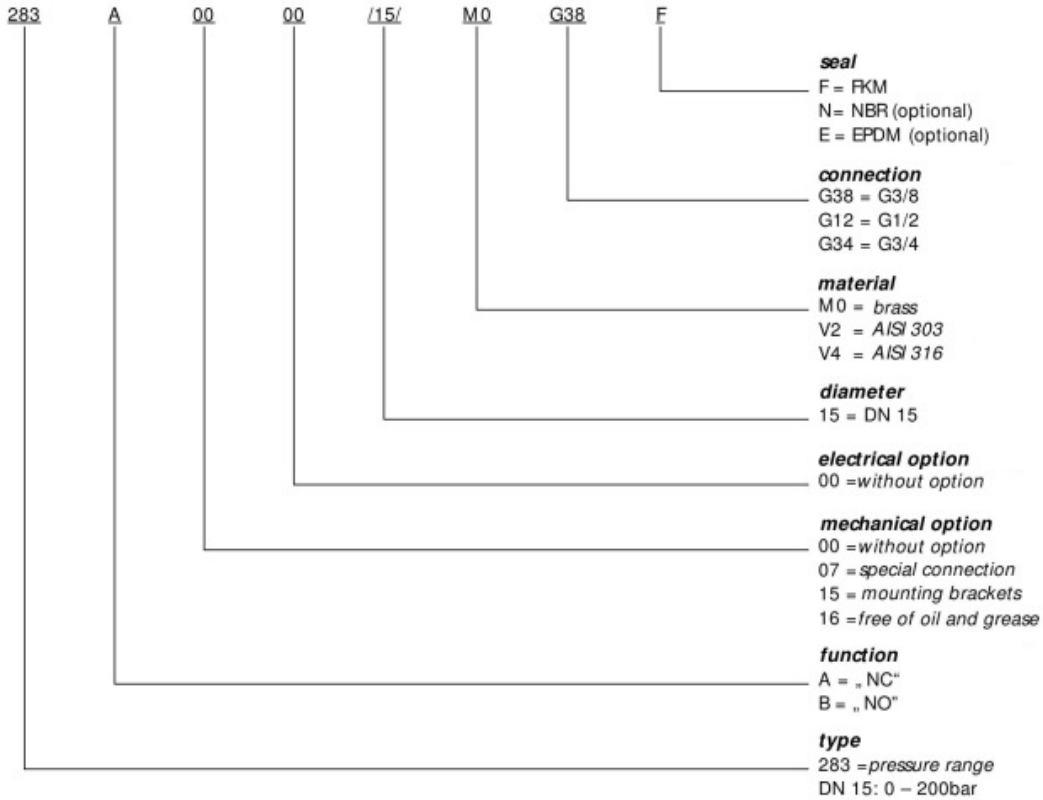
dimension drawing



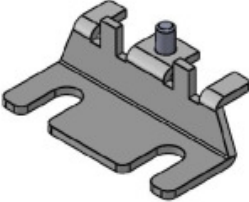
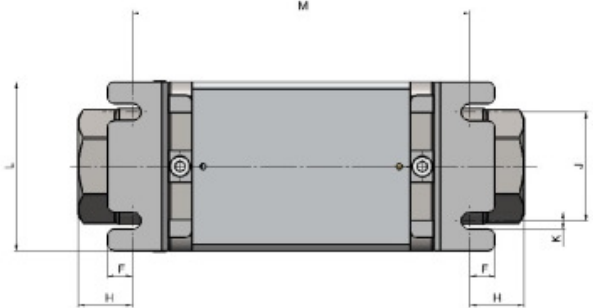


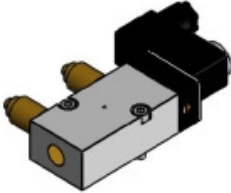
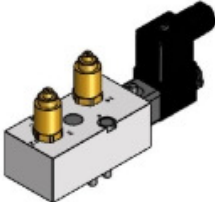
DN [mm]	G	SW	A [mm]	B [mm]	C	D [mm]	E [mm]
15	3/8, 1/2, 3/4	50	100	184	M5	35	70

type code

structure of the order specification:



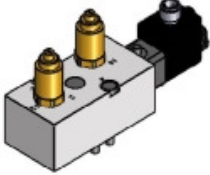

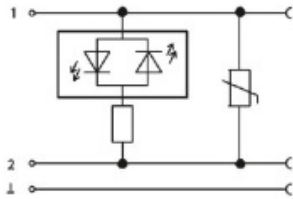



accessories

	<p>mounting brackets mechanical option = 15</p>	 <table border="1" data-bbox="818 779 1430 880"> <thead> <tr> <th>DN</th> <th>F</th> <th>H</th> <th>J</th> <th>K</th> <th>L</th> <th>M</th> </tr> <tr> <th>[mm]</th> <th>[mm]</th> <th>[mm]</th> <th>[mm]</th> <th>[mm]</th> <th>[mm]</th> <th>[mm]</th> </tr> </thead> <tbody> <tr> <td>15</td> <td>10,5</td> <td>22</td> <td>45</td> <td>7</td> <td>70</td> <td>139</td> </tr> </tbody> </table>	DN	F	H	J	K	L	M	[mm]	[mm]	[mm]	[mm]	[mm]	[mm]	[mm]	15	10,5	22	45	7	70	139
DN	F	H	J	K	L	M																	
[mm]	[mm]	[mm]	[mm]	[mm]	[mm]	[mm]																	
15	10,5	22	45	7	70	139																	
	<p>exhaust air throttle G1/8 G1/4</p>																						
	<p>silencer of sinter bronze casting G1/8 G1/4</p>																						
	<p>5/2-way pilot valve (NAMUR) to flange connections laterally 24V DC 230V 50Hz</p>																						
	<p>5/2-way pilot valve (NAMUR) to flange connections above 24V DC 230V 50Hz</p>																						

Coaxial-valves.com

2/2-way coaxial valve

Type 283

	<p>Magnet M12x1 5/2-way pilot valve (NAMUR) to flange connections above solenoid M12 x 1</p> <p>24V DC 230V 50Hz</p>	
	<p>plug with LED</p> <p>electrical option = 20</p>	
	<p>24V DC</p> <p>plug with power reduction form A</p> <p>electrical option = 07</p>	
	<p>explosion proof</p> <p>II 2G Ex m II T4 II 3D IP65 T130 °C</p> <p>electrical option = 13</p>	

We gladly coordinate further options and accessories according to your requirements.