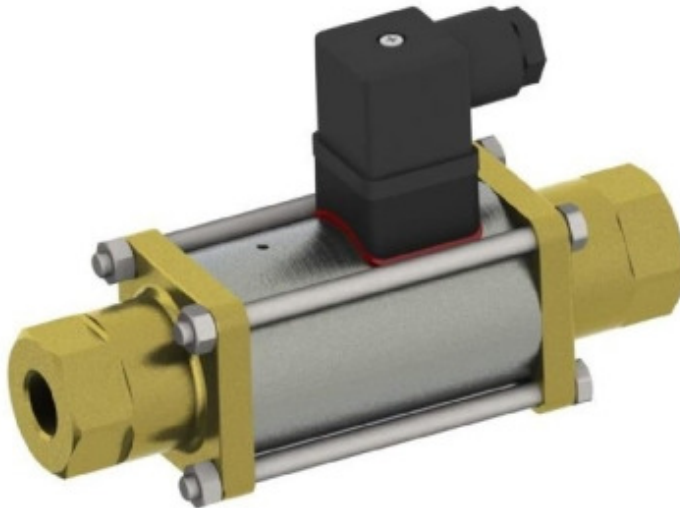
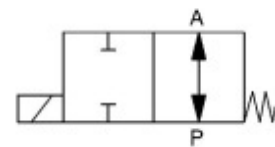
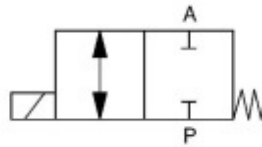


direct acting

function A: NC (normally closed)

function B: NO (normally open)



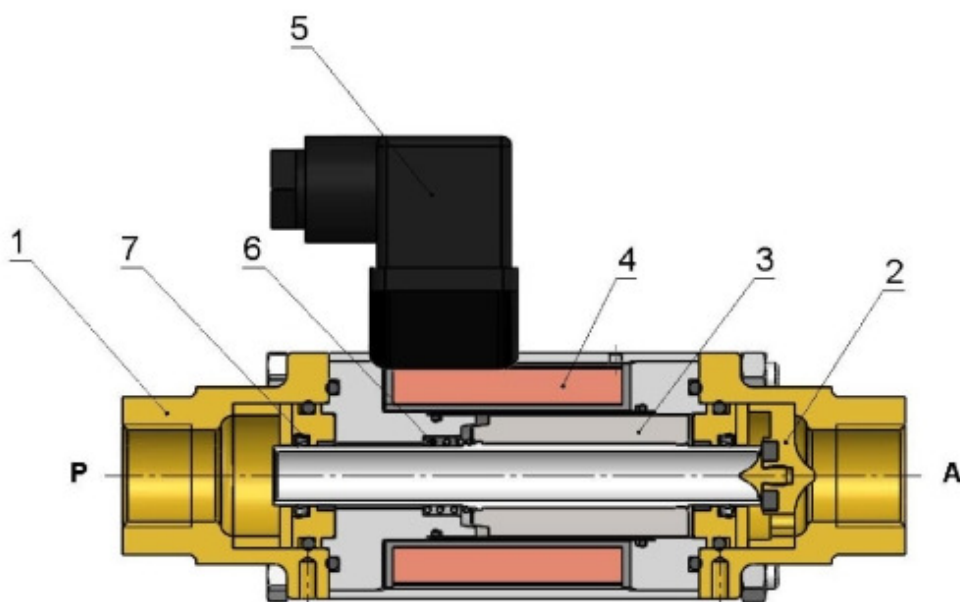
diameter	DN 10 – 50
pressure range	0 – max. 100bar backpressure leakproof up to max. 16bar
body material	threaded version: brass, AISI 303, AISI 316 flange version: steel galvanized, steel nickel-plated, AISI 316
seal material	static: FKM dynamic: PTFE seat seal: FKM, PTFE
temperature	media: -10 up to +100 °C ambient: -10 up to +50 °C
connection	G1/4 – G2 flange see table page 4
flow direction	P → A max. 100bar A → P max. 16bar
electr. connection	plug acc. DIN EN 175301-803 form A, a.c. operation with rectifier integrated
nominal voltage	230V 50Hz, 24V DC, special voltages
voltage tolerance	+ / - 10% acc. VDE 0580
duty factor	100% ED
protection class	IP 65 with plug mounted
mounting	in any position

2/2-way coaxial valve

Type 270 / 271 / 272

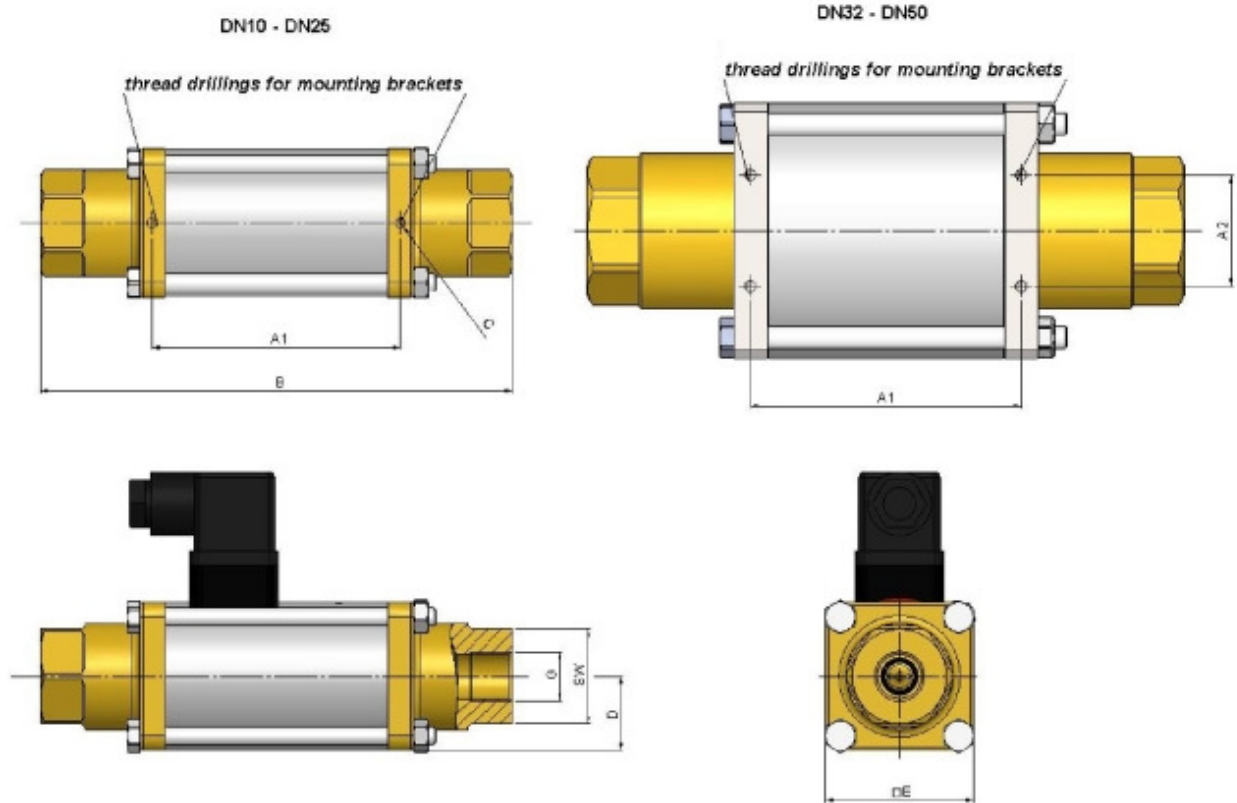
type	DN [mm]	pressure range [bar]	connection	flow rate [m³/h]	power consumption [W]		weight - brass [kg]
					24V DC	230V 50Hz	
270	10	0 – 40	G1/4, G3/8, G1/2	2,5	35	41	1,7
270	15	0 – 40	G3/8, G1/2, G3/4	5,2	40	45	3,6
270	20	0 – 40	G1/2, G3/4, G1	7,0	45	53	5,4
270	25	0 – 40	G3/4, G1, G1 1/4	12,3	60	68	7,1
270	32	0 – 40	G1, G1 1/4, G1 1/2	20,0	73	76	12,6
270	40	0 – 16	G1 1/2	45,7	73	91	18,3
270	50	0 – 16	G2	47,2	73	91	18,3
271	10	0 – 64	G1/4, G3/8, G1/2	2,5	44	53	1,7
271	15	0 – 64	G3/8, G1/2, G3/4	5,2	50	55	3,6
271	20	0 – 64	G1/2, G3/4, G1	7,0	53	59	5,4
271	25	0 – 64	G3/4, G1, G1 1/4	12,3	77	85	7,1
271	32	0 – 64	G1, G1 1/4, G1 1/2	20,0	73	76	12,6
272	10	0 – 100	G1/4, G3/8, G1/2	2,5	44	53	1,7
272	15	0 – 100	G3/8, G1/2, G3/4	5,2	50	55	3,6
272	20	0 – 100	G1/2, G3/4, G1	7,0	53	59	5,4
272	25	0 – 100	G3/4, G1, G1 1/4	12,3	77	85	7,1
272	32	0 – 100	G1, G1 1/4, G1 1/2	20,0	73	76	12,6

sectional drawing



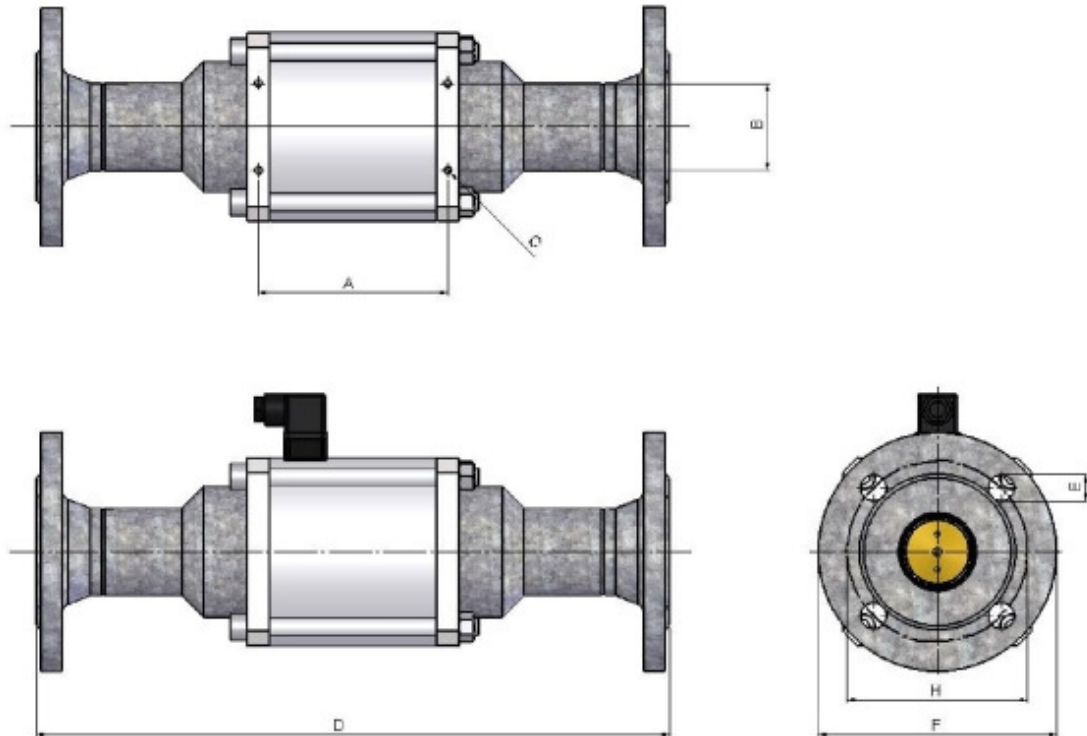
pos.	quantity	description
1	2	adapter fitting
2	1	valve seat
3	1	plunger
4	1	solenoid
5	1	plug
6	1	spring
7	2	PTFE-rod seal

dimension drawing



DN [mm]	G	SW	A1 [mm]	A2 [mm]	B [mm]	C	D [mm]	E [mm]
10	1/4, 3/8, 1/2	32	84	-	159,5	M4	25	50
15	3/8, 1/2, 3/4	41	100	-	184	M5	35	70
20	1/2, 3/4, 1	46	108	-	215	M5	40	80
25	3/4, 1, 1 1/4	55	121	-	246	M5	45	90
32	1, 1 1/4, 1 1/2	60	122	50	269	M6	57,5	115
40	1 1/2	75	131	60	304	M6	65	130
50	2	75	131	60	304	M6	65	130

dimension drawing flange valves



flange - standard		pressure rating [bar]	DN flange	DN valve	flow rate [m ³ /h]	A	B	C	D	E	F	H
DIN	EN					[mm]	[mm]	[mm]	[mm]	[mm]	[mm]	[mm]
2633	-	16	15	15	5,2	100	-	M5	242	14	95	65
2633	-	16	20	20	6,8	108	-	M5	269	14	105	75
2633	-	16	25	25	12,3	121	-	M5	302	14	115	85
2633	-	16	32	32	20,0	122	50	M6	324	18	140	100
2633	-	16	40	40	38,2	131	60	M6	385	18	150	110
2633	1092-1 Typ 11	16	50	50	47,2	131	60	M6	385	18	165	125
2635	1092-1 Typ 11	40	15	15	5,2	100	-	M5	242	14	95	65
2635	1092-1 Typ 11	40	20	20	6,8	108	-	M5	269	14	105	75
2635	1092-1 Typ 11	40	25	25	12,3	121	-	M5	302	14	115	85
2635	1092-1 Typ 11	40	32	32	20,0	122	50	M6	324	18	140	100
2635	1092-1 Typ 11	40	40	32	20,0	131	60	M6	324	18	150	110
2637	1092-1 Typ 11	100	15	15	5,2	100	-	M5	242	14	105	75
-	1092-1 Typ 11	100	20	20	6,8	108	-	M5	269	18	130	90
2637	1092-1 Typ 11	100	25	25	12,3	121	-	M5	302	18	140	100
-	1092-1 Typ 11	100	32	32	20,0	122	50	M6	324	22	155	110
2637	1092-1 Typ 11	100	40	32	20,0	131	60	M6	324	22	170	125

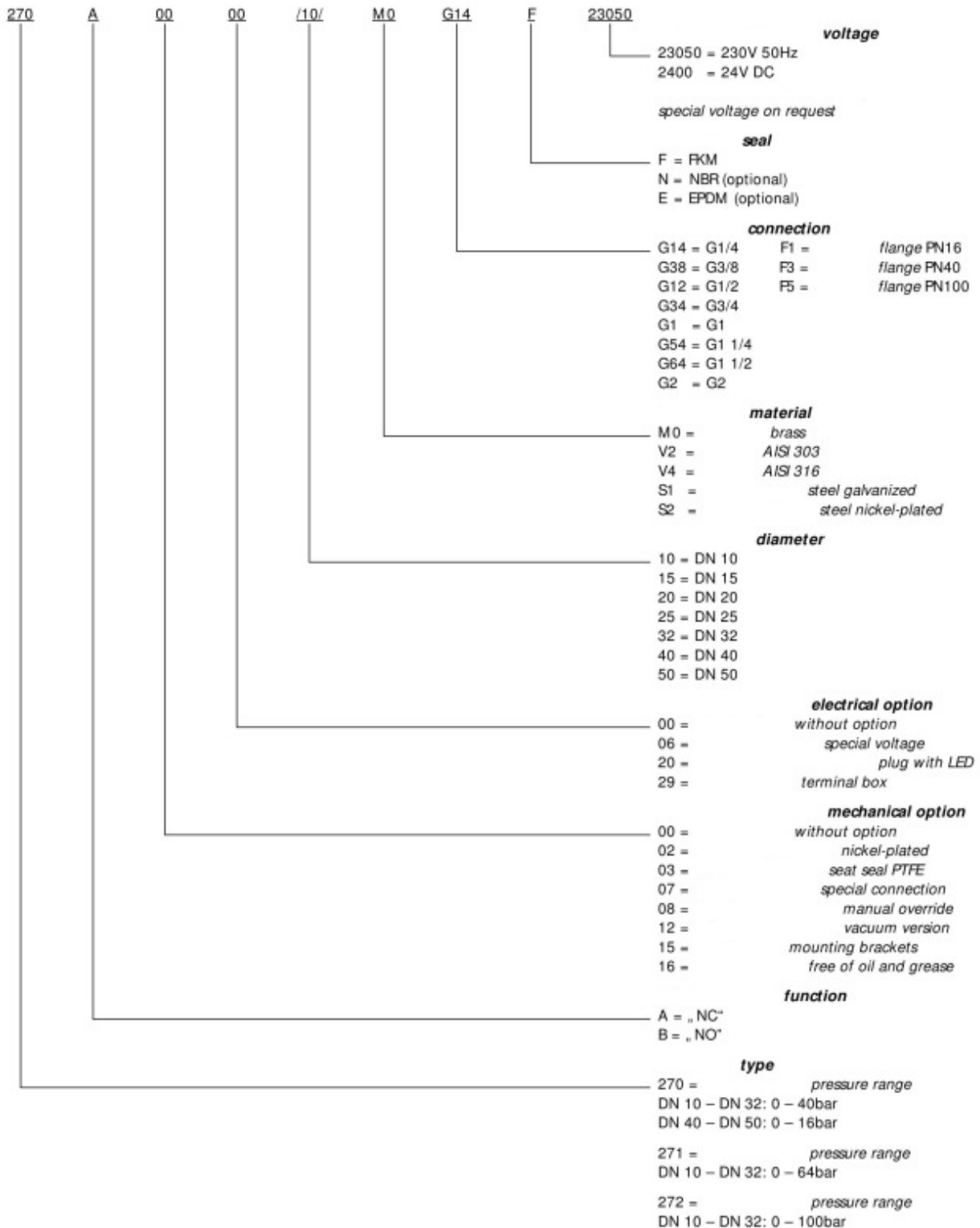
Coaxial-valves.com

2/2-way coaxial valve

Type 270 / 271 / 272

type code

structure of the order specification:

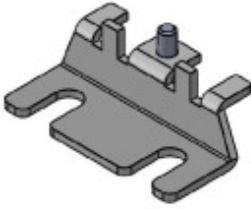
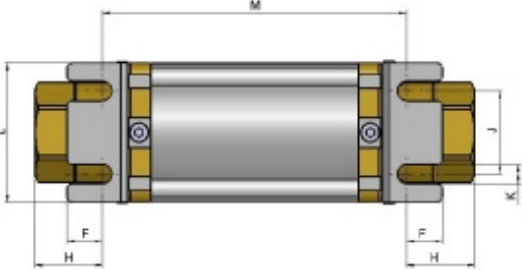






Coaxial-valves.com

2/2-way coaxial valve

Type 270 / 271 / 272


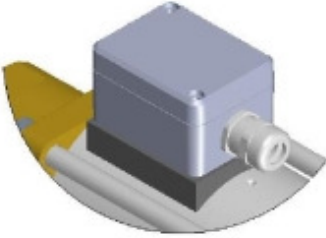

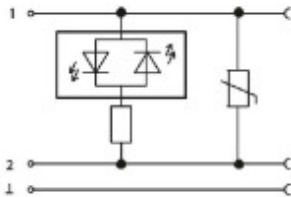



accessories

	<p>mounting brackets</p> <p>mechanical option = 15</p>	 <table border="1" data-bbox="817 786 1426 1077"> <thead> <tr> <th>DN [mm]</th> <th>F [mm]</th> <th>H [mm]</th> <th>J [mm]</th> <th>K [mm]</th> <th>L [mm]</th> <th>M [mm]</th> </tr> </thead> <tbody> <tr> <td>10</td> <td>10</td> <td>23,5</td> <td>30</td> <td>7</td> <td>50</td> <td>113</td> </tr> <tr> <td>15</td> <td>10,5</td> <td>22,5</td> <td>45</td> <td>7</td> <td>70</td> <td>139</td> </tr> <tr> <td>20</td> <td>15,3</td> <td>33,5</td> <td>50</td> <td>7</td> <td>80</td> <td>149</td> </tr> <tr> <td>25</td> <td>16</td> <td>34</td> <td>60</td> <td>8,5</td> <td>90</td> <td>178</td> </tr> <tr> <td>32</td> <td>6</td> <td>37</td> <td>78</td> <td>6,5</td> <td>115</td> <td>195</td> </tr> <tr> <td>40</td> <td>6</td> <td>40</td> <td>98</td> <td>6,5</td> <td>130</td> <td>224</td> </tr> <tr> <td>50</td> <td>6</td> <td>40</td> <td>98</td> <td>6,5</td> <td>130</td> <td>224</td> </tr> </tbody> </table>	DN [mm]	F [mm]	H [mm]	J [mm]	K [mm]	L [mm]	M [mm]	10	10	23,5	30	7	50	113	15	10,5	22,5	45	7	70	139	20	15,3	33,5	50	7	80	149	25	16	34	60	8,5	90	178	32	6	37	78	6,5	115	195	40	6	40	98	6,5	130	224	50	6	40	98	6,5	130	224
DN [mm]	F [mm]	H [mm]	J [mm]	K [mm]	L [mm]	M [mm]																																																				
10	10	23,5	30	7	50	113																																																				
15	10,5	22,5	45	7	70	139																																																				
20	15,3	33,5	50	7	80	149																																																				
25	16	34	60	8,5	90	178																																																				
32	6	37	78	6,5	115	195																																																				
40	6	40	98	6,5	130	224																																																				
50	6	40	98	6,5	130	224																																																				
	<p>manual override</p> <p>mechanical option = 08</p>																																																									
	<p>position indication</p> <p>electrical option = 19</p>																																																									

Coaxial-valves.com

2/2-way coaxial valve

Type 270 / 271 / 272

	<p>terminal box</p> <p>protection class: IP 65</p> <p>PG11-fitting</p> <p>electrical option = 29</p>	
	<p>plug with LED</p> <p>electrical option = 20</p>	
	<p>24V DC</p> <p>plug with power reduction form A</p> <p>electrical option = 07</p>	
	<p>plug with M12x1</p>	

We gladly coordinate further options and accessories according to your requirements.