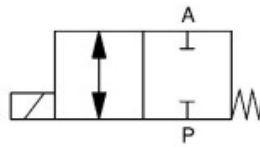


## 2/2-way coaxial valve

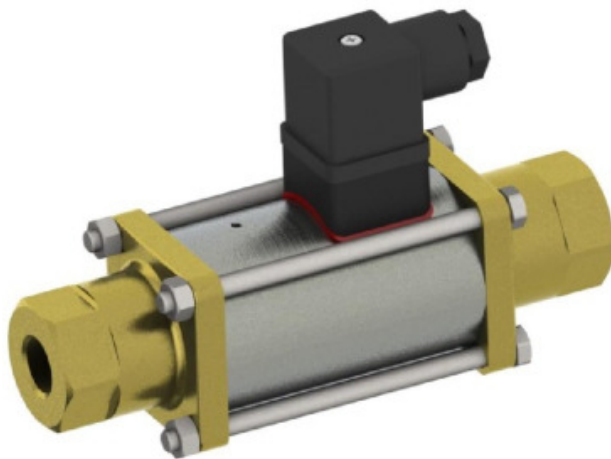
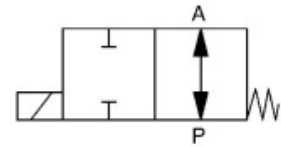
## Type 269

**direct acting**

function A: NC (normally closed)



function B: NO (normally open)



|                           |   |
|---------------------------|---|
| <b>diameter</b>           | DN 10 – 32  |
| <b>pressure range</b>     | 0 – max. 20bar<br>backpressure leakproof up to max. 16bar                             |
| <b>body material</b>      | threaded version: brass, AISI 303, AISI 316   |
| <b>seal material</b>      | static: FKM<br>dynamic: PTFE<br>seat seal: FKM  |
| <b>temperature</b>        | media: -10 up to +100 °C<br>ambient: -10 up to +50 °C                                 |
| <b>connection</b>         | G1/4 – G1 1/2   |
| <b>flow direction</b>     | P → A max. 20bar<br>A → P max. 16bar  |
| <b>electr. connection</b> | plug acc.<br>DIN EN 175301-803 form A,<br>a.c. operation with rectifier<br>integrated |
| <b>nominal voltage</b>    | 230V 50Hz, 24V DC, special voltages   |
| <b>voltage tolerance</b>  | + / - 10% acc. VDE 0580   |
| <b>duty factor</b>        | 100% ED   |
| <b>protection class</b>   | IP 65 with plug mounted   |
| <b>mounting</b>           | in any position   |

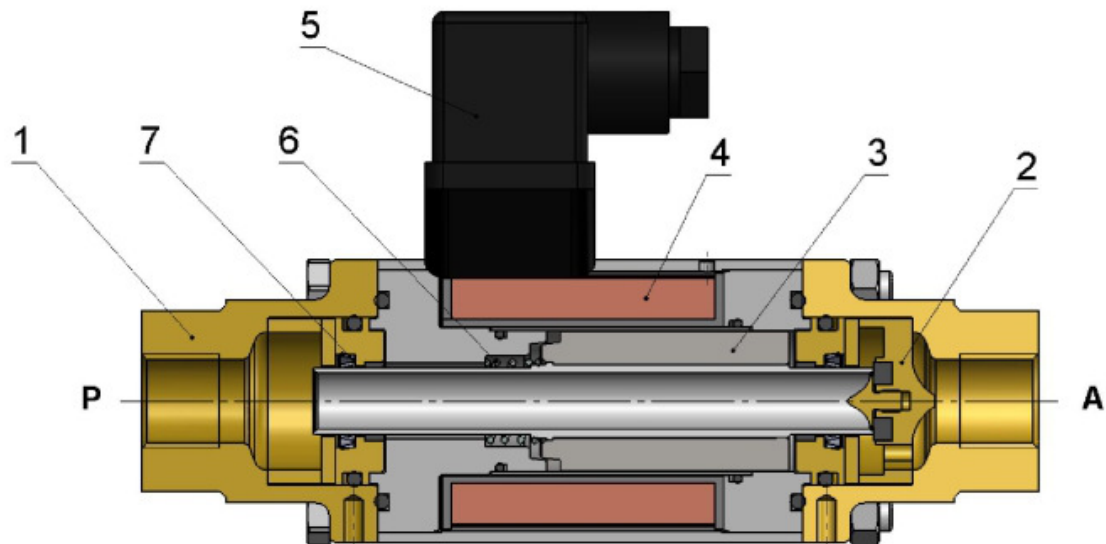
# Coaxial-Valves.com

## 2/2-way coaxial valve

## Type 269

| DN<br>[mm] | pressure range<br>[bar] | connection         | flow rate<br>[m <sup>3</sup> /h] | power consumption<br>[W] |           | weight – brass<br>[kg] |
|------------|-------------------------|--------------------|----------------------------------|--------------------------|-----------|------------------------|
|            |                         |                    |                                  | 24V DC                   | 230V 50Hz |                        |
| 10         | 0 – 20                  | G1/4, G3/8, G1/2   | 2,5                              | 25                       | 29        | 1,7                    |
| 15         | 0 – 20                  | G3/8, G1/2, G3/4   | 5,2                              | 30                       | 32        | 3,6                    |
| 20         | 0 – 20                  | G1/2, G3/4, G1     | 7,0                              | 34                       | 42        | 5,4                    |
| 25         | 0 – 20                  | G3/4, G1, G1 1/4   | 12,3                             | 51                       | 60        | 7,1                    |
| 32         | 0 – 20                  | G1, G1 1/4, G1 1/2 | 20,0                             | 73                       | 76        | 12,6                   |

### sectional drawing



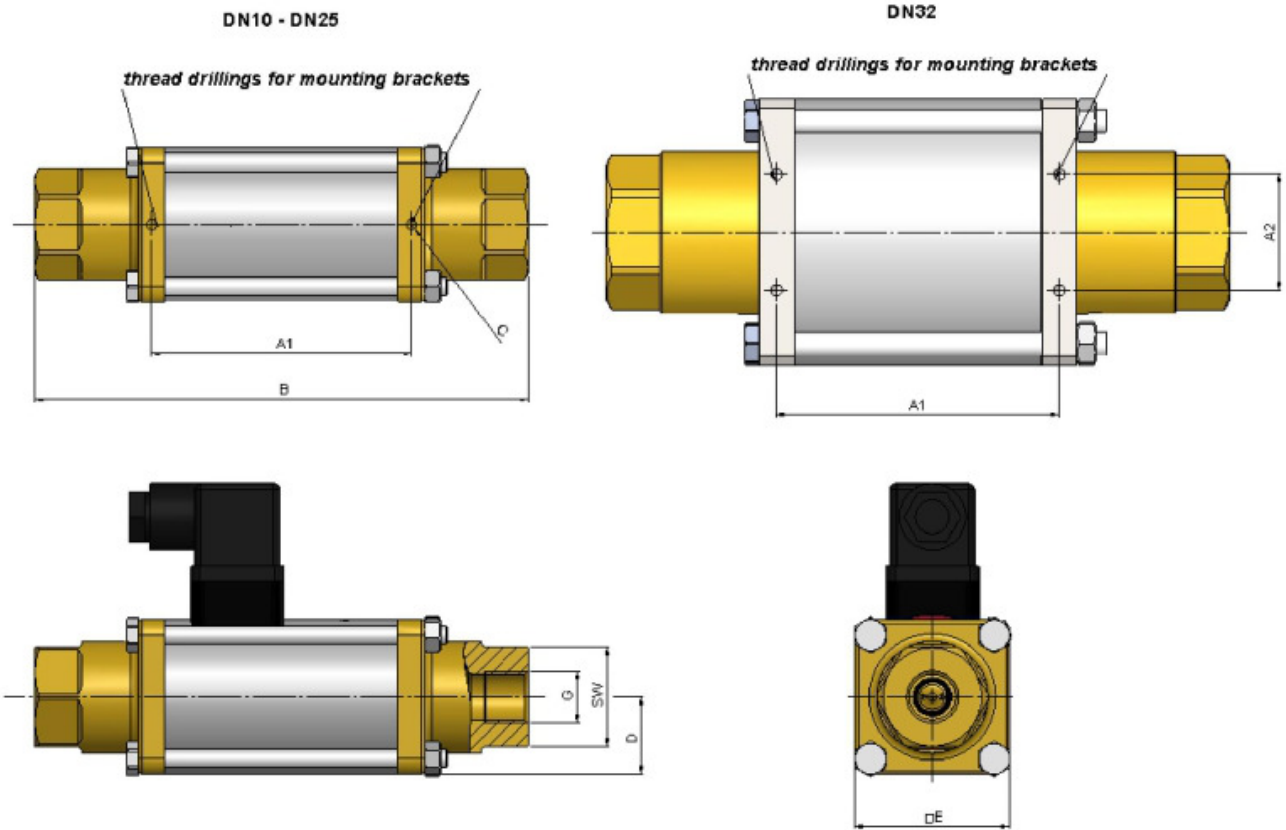
| pos. | quantity | description     |
|------|----------|-----------------|
| 1    | 2        | adapter fitting |
| 2    | 1        | valve seat      |
| 3    | 1        | plunger         |
| 4    | 1        | solenoid        |
| 5    | 1        | plug            |
| 6    | 1        | spring          |
| 7    | 2        | PTFE-rod seal   |

# Coaxial-Valves.com

2/2-way coaxial valve

Type 269

dimension drawing



| DN<br>[mm] | G               | SW | A1<br>[mm] | A2<br>[mm] | B<br>[mm] | C  | D<br>[mm] | E<br>[mm] |
|------------|-----------------|----|------------|------------|-----------|----|-----------|-----------|
| 10         | 1/4, 3/8, 1/2   | 32 | 84         | -          | 159,5     | M4 | 25        | 50        |
| 15         | 3/8, 1/2, 3/4   | 41 | 100        | -          | 184       | M5 | 35        | 70        |
| 20         | 1/2, 3/4, 1     | 46 | 108        | -          | 215       | M5 | 40        | 80        |
| 25         | 3/4, 1, 1 1/4   | 55 | 121        | -          | 246       | M5 | 45        | 90        |
| 32         | 1, 1 1/4, 1 1/2 | 60 | 122        | 50         | 269       | M6 | 57,5      | 115       |

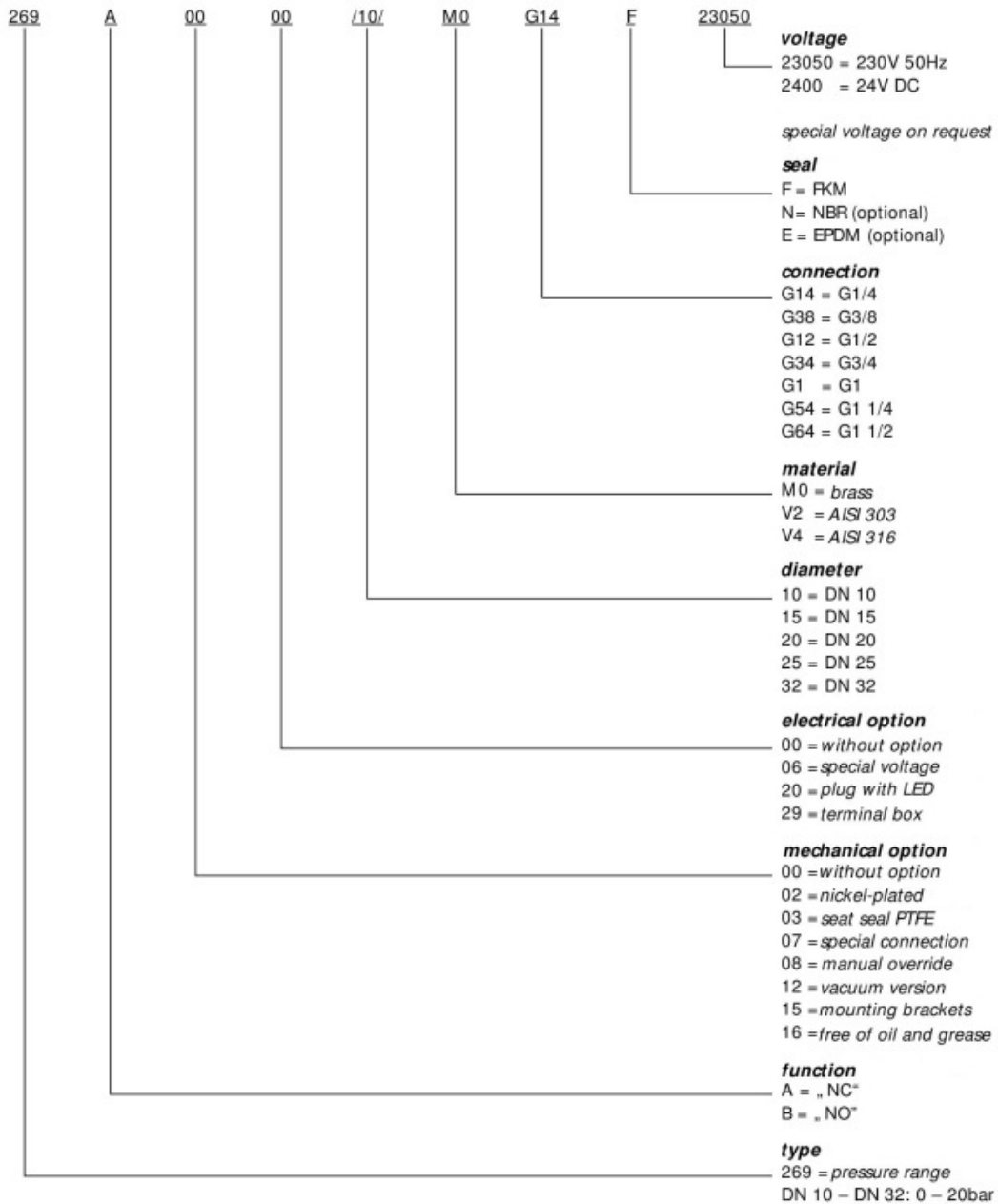
# Coaxial-Valves.com

2/2-way coaxial valve

Type 269

## type code

structure of the order specification:

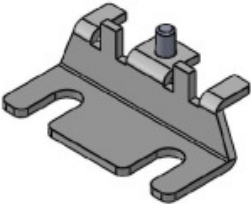
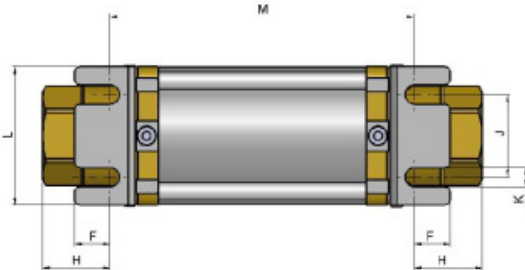
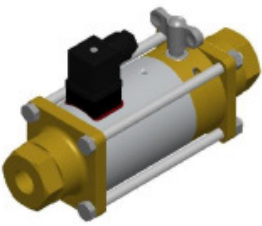

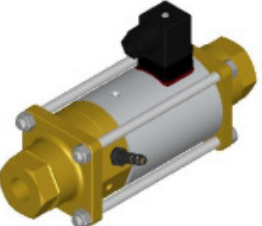
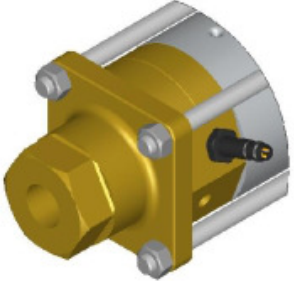
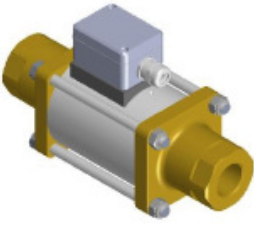
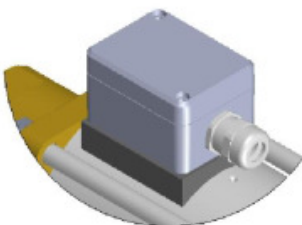


# Coaxial-Valves.com

2/2-way coaxial valve

Type 269


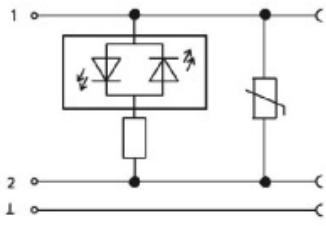

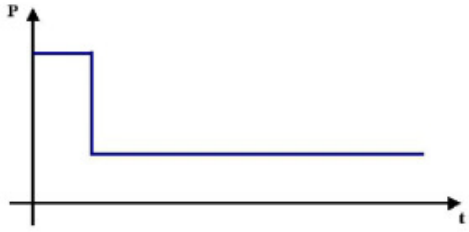

**accessories**

|    | <p>mounting brackets</p> <p>mechanical option = 15</p>   |  <table border="1" data-bbox="821 806 1428 1041"> <thead> <tr> <th>DN</th> <th>F</th> <th>H</th> <th>J</th> <th>K</th> <th>L</th> <th>M</th> </tr> <tr> <th>[mm]</th> <th>[mm]</th> <th>[mm]</th> <th>[mm]</th> <th>[mm]</th> <th>[mm]</th> <th>[mm]</th> </tr> </thead> <tbody> <tr> <td>10</td> <td>10</td> <td>23,5</td> <td>30</td> <td>7</td> <td>50</td> <td>113</td> </tr> <tr> <td>15</td> <td>10,5</td> <td>23,5</td> <td>45</td> <td>7</td> <td>70</td> <td>139</td> </tr> <tr> <td>20</td> <td>15,3</td> <td>33,5</td> <td>50</td> <td>7</td> <td>80</td> <td>149</td> </tr> <tr> <td>25</td> <td>16</td> <td>34</td> <td>60</td> <td>8,5</td> <td>90</td> <td>178</td> </tr> <tr> <td>32</td> <td>6</td> <td>37</td> <td>78</td> <td>6,5</td> <td>115</td> <td>195</td> </tr> </tbody> </table> | DN   | F    | H    | J    | K | L | M | [mm] | [mm] | [mm] | [mm] | [mm] | [mm] | [mm] | 10 | 10 | 23,5 | 30 | 7 | 50 | 113 | 15 | 10,5 | 23,5 | 45 | 7 | 70 | 139 | 20 | 15,3 | 33,5 | 50 | 7 | 80 | 149 | 25 | 16 | 34 | 60 | 8,5 | 90 | 178 | 32 | 6 | 37 | 78 | 6,5 | 115 | 195 |
|---|--|---|------|------|------|------|---|---|---|------|------|------|------|------|------|------|----|----|------|----|---|----|-----|----|------|------|----|---|----|-----|----|------|------|----|---|----|-----|----|----|----|----|-----|----|-----|----|---|----|----|-----|-----|-----|
| DN  | F  | H   | J    | K    | L    | M    |   |   |   |      |      |      |      |      |      |      |    |    |      |    |   |    |     |    |      |      |    |   |    |     |    |      |      |    |   |    |     |    |    |    |    |     |    |     |    |   |    |    |     |     |     |
| [mm]  | [mm]   | [mm]  | [mm] | [mm] | [mm] | [mm] |   |   |   |      |      |      |      |      |      |      |    |    |      |    |   |    |     |    |      |      |    |   |    |     |    |      |      |    |   |    |     |    |    |    |    |     |    |     |    |   |    |    |     |     |     |
| 10  | 10   | 23,5  | 30   | 7    | 50   | 113  |   |   |   |      |      |      |      |      |      |      |    |    |      |    |   |    |     |    |      |      |    |   |    |     |    |      |      |    |   |    |     |    |    |    |    |     |    |     |    |   |    |    |     |     |     |
| 15  | 10,5   | 23,5  | 45   | 7    | 70   | 139  |   |   |   |      |      |      |      |      |      |      |    |    |      |    |   |    |     |    |      |      |    |   |    |     |    |      |      |    |   |    |     |    |    |    |    |     |    |     |    |   |    |    |     |     |     |
| 20  | 15,3   | 33,5  | 50   | 7    | 80   | 149  |   |   |   |      |      |      |      |      |      |      |    |    |      |    |   |    |     |    |      |      |    |   |    |     |    |      |      |    |   |    |     |    |    |    |    |     |    |     |    |   |    |    |     |     |     |
| 25  | 16   | 34  | 60   | 8,5  | 90   | 178  |   |   |   |      |      |      |      |      |      |      |    |    |      |    |   |    |     |    |      |      |    |   |    |     |    |      |      |    |   |    |     |    |    |    |    |     |    |     |    |   |    |    |     |     |     |
| 32  | 6  | 37  | 78   | 6,5  | 115  | 195  |   |   |   |      |      |      |      |      |      |      |    |    |      |    |   |    |     |    |      |      |    |   |    |     |    |      |      |    |   |    |     |    |    |    |    |     |    |     |    |   |    |    |     |     |     |
|  | <p>manual override</p> <p>mechanical option = 08</p>   |   |      |      |      |      |   |   |   |      |      |      |      |      |      |      |    |    |      |    |   |    |     |    |      |      |    |   |    |     |    |      |      |    |   |    |     |    |    |    |    |     |    |     |    |   |    |    |     |     |     |
|  | <p>position indication</p> <p>electrical option = 19</p>   |   |      |      |      |      |   |   |   |      |      |      |      |      |      |      |    |    |      |    |   |    |     |    |      |      |    |   |    |     |    |      |      |    |   |    |     |    |    |    |    |     |    |     |    |   |    |    |     |     |     |
|  | <p>terminal box</p> <p>protection class: IP 65</p> <p>PG11-fitting</p> <p>electrical option = 29</p> |   |      |      |      |      |   |   |   |      |      |      |      |      |      |      |    |    |      |    |   |    |     |    |      |      |    |   |    |     |    |      |      |    |   |    |     |    |    |    |    |     |    |     |    |   |    |    |     |     |     |

# Coaxial-Valves.com

2/2-way coaxial valve

Type 269

|  |  |  |
|--|--|--|
|   | <p>plug with LED<br/>electrical option = 20</p>  |  |
|   | <p><b>24V DC</b><br/>plug with power reduction<br/>form A<br/>electrical option = 07</p> |  |
|  | <p>plug with M12x1</p>   |  |

We gladly coordinate further options and accessories according to your requirements.