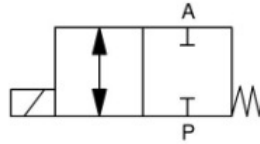


2/2-way coaxial valve

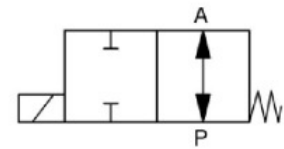
Type 267

direct acting

function A: NC (normally closed)



function B: NO (normally open)



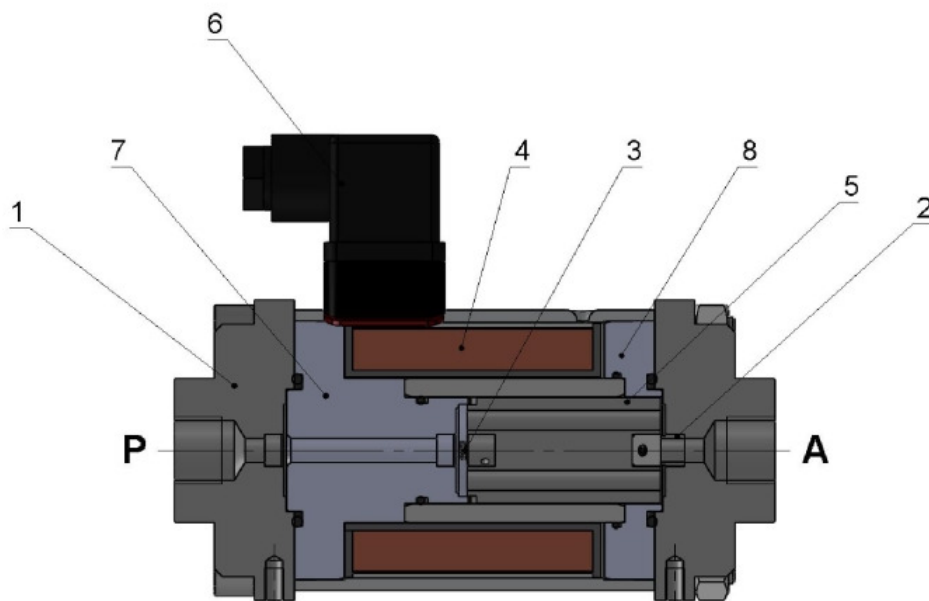
diameter	DN 1 – 6
pressure range	0 – max. 300bar
body material	steel galvanized, steel nickel-plated
seal	static: FKM seat seal: PTFE
temperature	media: - 10 up to + 100°C ambient: - 10 up to + 50°C
connection	G1/8 – G3/8
flow direction	P → A max. 300bar A → P see table
electr. connection	plug acc. DIN EN 175301-803 form A, a.c. operation with rectifier integrated
switching time	opening time: 29ms closing time: 200ms
power consumption	24V DC: 58W 230V 50Hz: 55W
weight	4kg
nominal voltage	230V 50Hz, 24V DC, special voltage
voltage tolerance	+ / - 10% acc. VDE 0580
duty factor	100% ED
protection class	IP 65 with plug mounted
mounting	in any position

2/2-way coaxial valve

Type 267

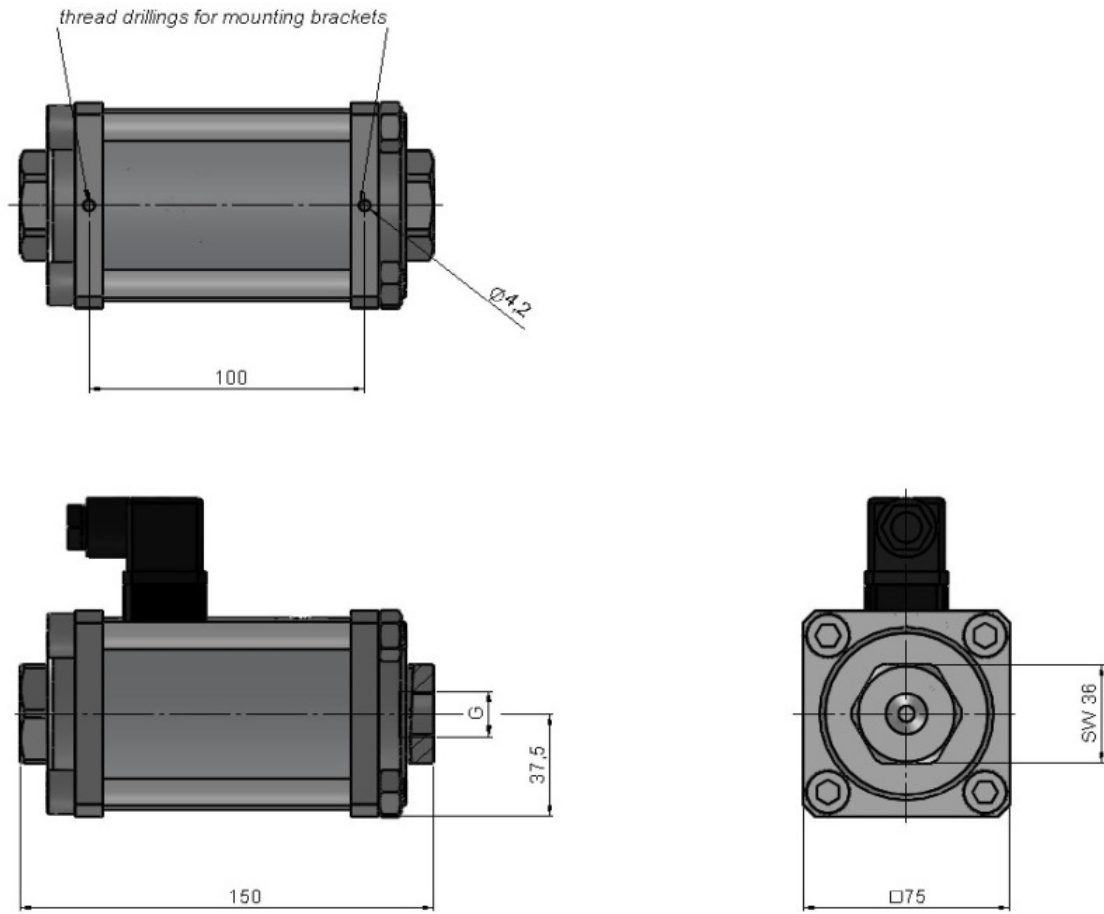
DN [mm]	pressure range [bar]	flow rate [l/min]	back pressure A → P [bar]
1	0 – 300	0,7	100
2	0 – 300	1,9	50
2,5	0 – 300	2,7	30
3	0 – 270	4,6	24
4	0 – 135	7,3	9
5	0 – 90	8,2	3
6	0 – 60	10,7	2

sectional drawing



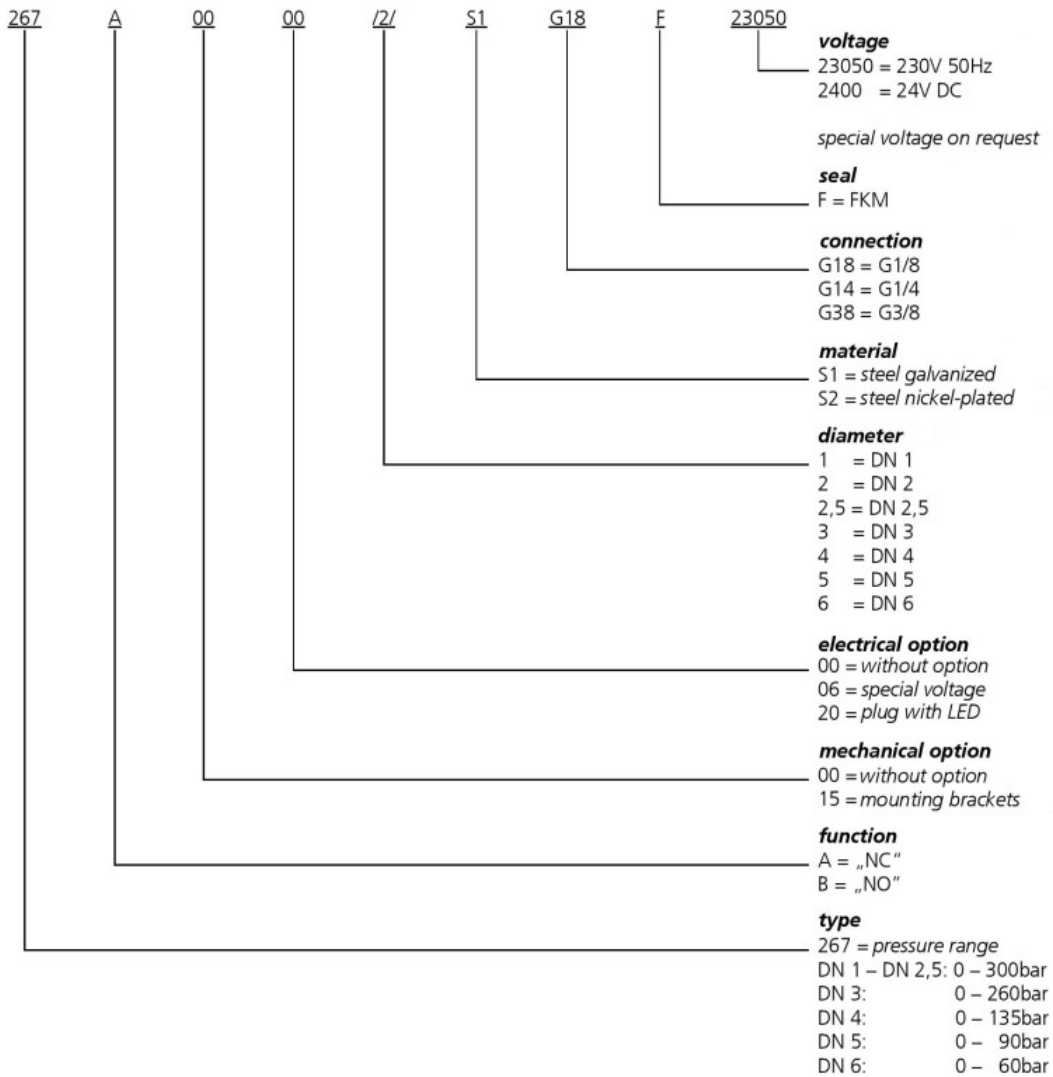
pos.	quantity	description
1	2	adapter fitting
2	1	nozzle
3	2	spring
4	1	coil
5	1	plunger
6	1	plug
7	1	solenoid core
8	1	solenoid cover

dimension drawing



type code

structure of the order specification:

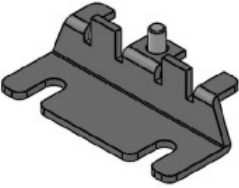
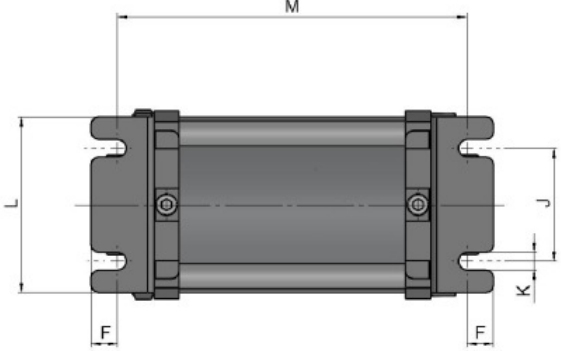

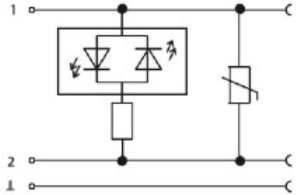

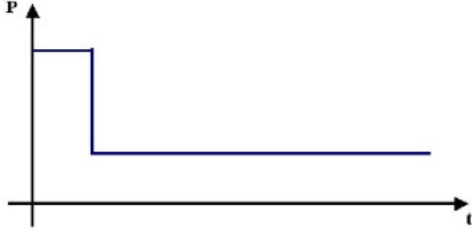


Coaxial-Valves.com

2/2-way coaxial valve

Type 267

accessories

	<p>mounting brackets mechanical option = 15</p>	 <table border="1" data-bbox="863 891 1382 987"> <thead> <tr> <th>DN</th> <th>F</th> <th>J</th> <th>K</th> <th>L</th> <th>M</th> </tr> <tr> <th>[mm]</th> <th>[mm]</th> <th>[mm]</th> <th>[mm]</th> <th>[mm]</th> <th>[mm]</th> </tr> </thead> <tbody> <tr> <td>1 - 6</td> <td>10,5</td> <td>45</td> <td>7</td> <td>70</td> <td>139</td> </tr> </tbody> </table>	DN	F	J	K	L	M	[mm]	[mm]	[mm]	[mm]	[mm]	[mm]	1 - 6	10,5	45	7	70	139
DN	F	J	K	L	M															
[mm]	[mm]	[mm]	[mm]	[mm]	[mm]															
1 - 6	10,5	45	7	70	139															
	<p>plug with LED electrical option = 20</p>																			
	<p>24V DC plug with power reduction form A electrical option = 07</p>																			

We gladly coordinate further options and accessories according to your requirements.