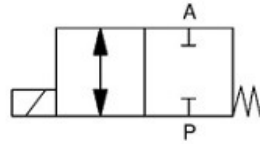


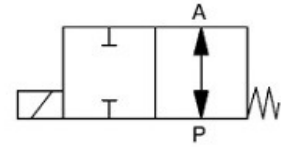
## Type 266

**direct acting**

function A: NC (normally closed)



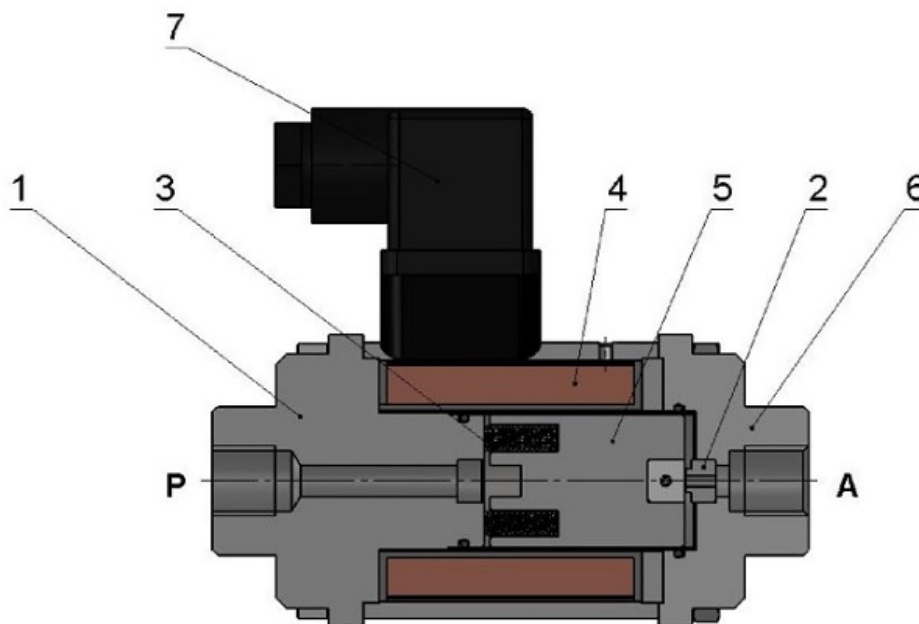
function B: NO (normally open)



<b>diameter</b>	DN 2 – 6
<b>pressure range</b>	0 – max. 100bar
<b>body material</b>	steel galvanized, steel nickel-plated
<b>seal</b>	static: FKM seat seal: PTFE
<b>temperature</b>	media: - 10 up to + 100 °C ambient: - 10 up to + 50 °C
<b>connection</b>	G1/8 – G3/8
<b>flow direction</b>	P → A max. 100bar A → P max. 16bar
<b>electr. connection</b>	plug acc. DIN EN 175301-803 form A, a.c. operation with rectifier integrated
<b>nominal voltage</b>	230V 50Hz, 24V DC, special voltage
<b>voltage tolerance</b>	+ / - 10% acc. VDE 0580
<b>duty factor</b>	100% ED
<b>protection class</b>	IP 65 with plug mounted
<b>mounting</b>	in any position

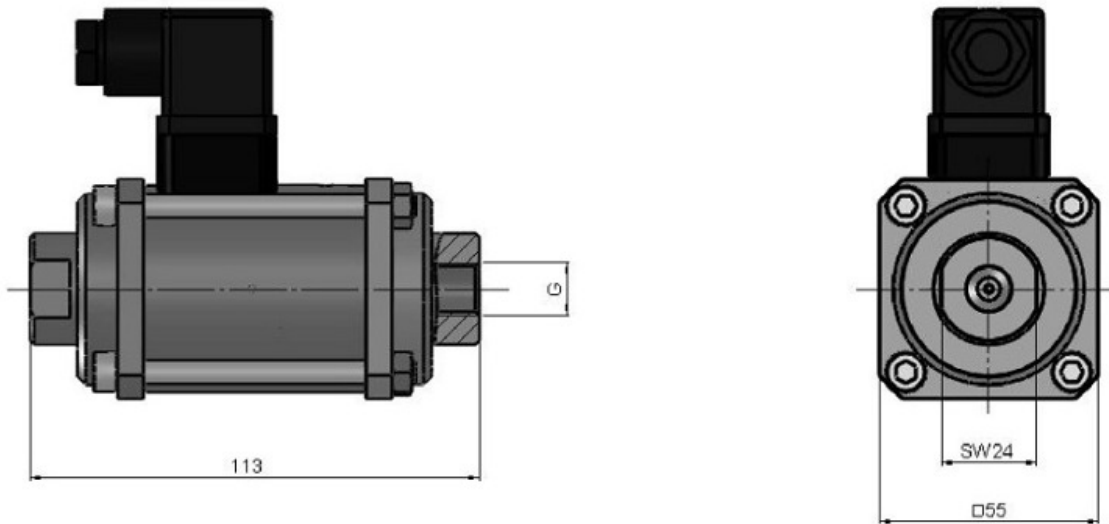
DN [mm]	pressure range [bar]	connection	flow rate [l/min]	power consumption [W]		weight - brass [Kg]
				24V DC	230V 50Hz	
2	0 – 100	G1/8, G1/4, G3/8	2,5	35	41	1,7
3	0 – 40	G1/8, G1/4, G3/8	3,7	35	41	1,7
4	0 – 20	G1/8, G1/4, G3/8	6,5	35	41	1,7
5	0 – 16	G1/8, G1/4, G3/8	8,0	35	41	1,7
6	0 – 10	G1/8, G1/4, G3/8	9,5	35	41	1,7

sectional drawing



Pos. pos.	description
1	solenoid core
2	nozzle
3	spring
4	coil
5	plunger
6	adapter fitting
7	plug

*dimension drawing*



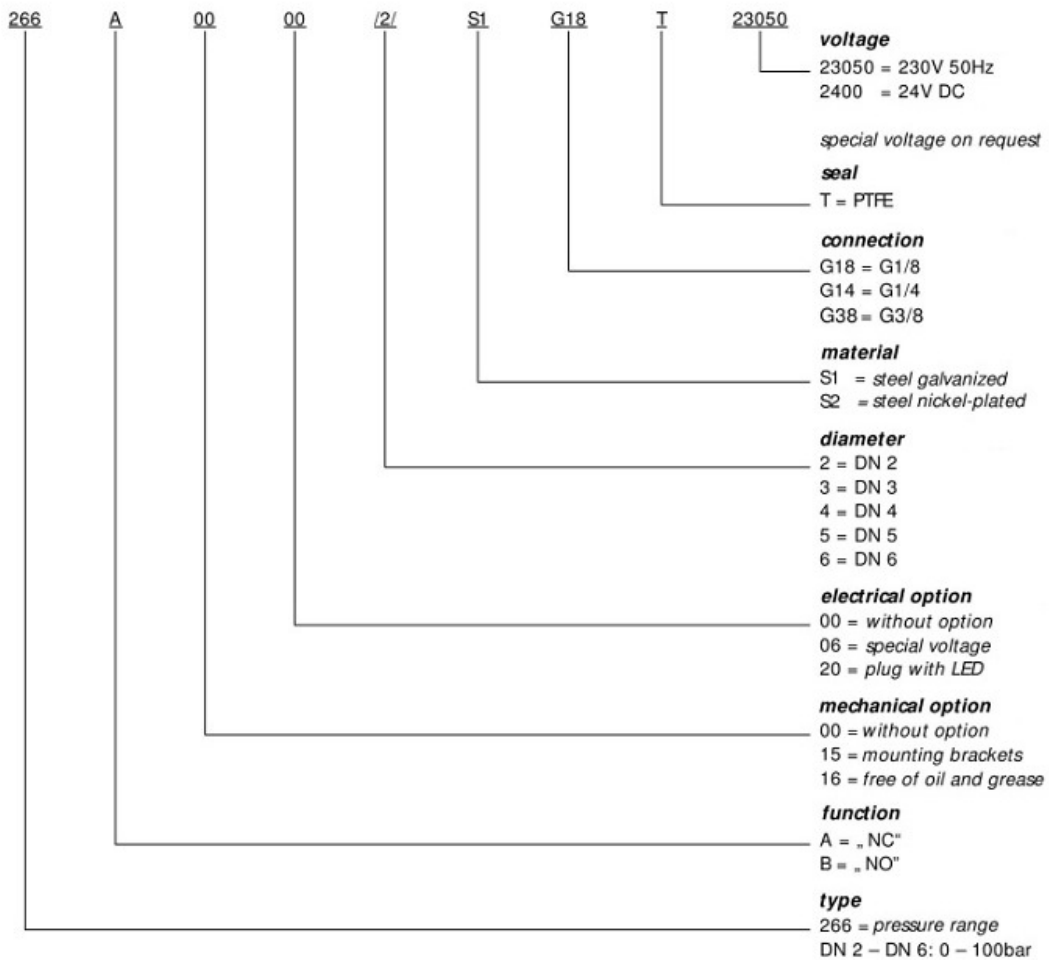
# Coaxial-valves.com

2/2-way coaxial valve

Type 266

## type code

structure of the order specification:

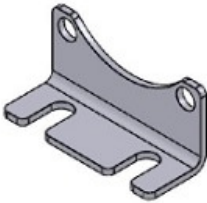
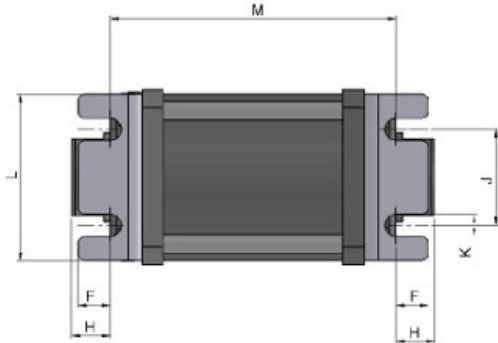

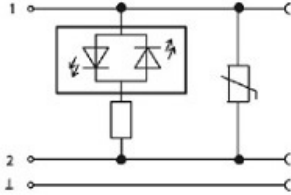
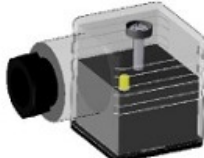
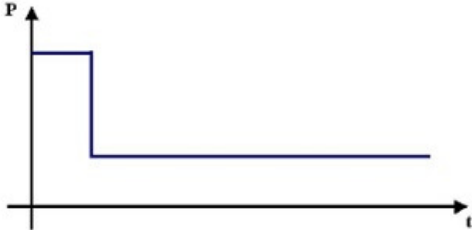


# Coaxial-valves.com

2/2-way coaxial valve

Type 266

## accessories

	<p>mounting brackets</p> <p>mechanical option = 15</p>	 <table border="1" data-bbox="817 922 1428 1016"> <thead> <tr> <th>DN</th> <th>F</th> <th>H</th> <th>J</th> <th>K</th> <th>L</th> <th>M</th> </tr> <tr> <th>[mm]</th> <th>[mm]</th> <th>[mm]</th> <th>[mm]</th> <th>[mm]</th> <th>[mm]</th> <th>[mm]</th> </tr> </thead> <tbody> <tr> <td>2 - 6</td> <td>10</td> <td>12</td> <td>30</td> <td>7</td> <td>52</td> <td>89</td> </tr> </tbody> </table>	DN	F	H	J	K	L	M	[mm]	[mm]	[mm]	[mm]	[mm]	[mm]	[mm]	2 - 6	10	12	30	7	52	89
DN	F	H	J	K	L	M																	
[mm]	[mm]	[mm]	[mm]	[mm]	[mm]	[mm]																	
2 - 6	10	12	30	7	52	89																	
	<p>plug with LED</p> <p>electrical option = 20</p>																						
	<p><b>24V DC</b></p> <p>plug with power reduction form A</p> <p>electrical option = 07</p>																						

We gladly coordinate further options and accessories according to your requirements.